

OELD

Bluetooth-enabled local display for Searchline Excel and Searchpoint Optima Plus



OELD SPECIFICATION

MATERIAL	Marine-grade aluminium alloy or 316 stainless steel with 5-coat painted finish
WEIGHT	Aluminium version 2.3 kg (5 lb), stainless steel version 5.0 kg (11 lb)
DIMENSIONS	159 x 197 x 114 mm (6 1/4 x 7 3/4 x 4 1/2 inch)
CABLE ENTRIES	5 x M25 (ATEX/IECEx version) or 5 x 3/4" NPT (cULus version). One reserved for sensor connection. 3 blanking plugs supplied for unused entries.
TERMINATION	2 x pluggable rising-clamp type for connection to gas detector and field wiring. Accepts cable sizes of 0.5 to 2.5mm ² , 12 to 28 AWG
STORAGE TEMPERATURE	-40 to +65 °C (-40 to 149 °F)
OPERATIONAL TEMPERATURE	-40 to +65 °C (-40 to 149 °F) -60 to +65 °C (-76 to 149 °F) (CU TR-EX version only)
HUMIDITY	0 to 99% RH (non-condensing)
DISPLAY	LCD module showing digital readout of sensor output, bar chart representation, units of measurement, status icons for alarm, maintenance and active Bluetooth connection.
CONFIGURABLE DISPLAYED INFORMATION	Displayed information fully user-configurable using the OELD mobile app. Units of measurement selectable from: <ul style="list-style-type: none"> • %LEL, %VOL, ppm, kppm, mg/m³, g/m³ (point detectors) • LEL.m, ppm.m (open path detectors) • mA, A, dB, DBA (other) Gas name (up to 4 alpha-numeric characters) Measurement range
VISUAL INDICATION	Green/yellow/red/blue multi-colour backlit display for indication of detector and OELD status. Green (normal) indication can be disabled via app.
POWER SUPPLY	18 to 32 Vdc (24 Vdc nominal), <2 W
INTERFACES	Bluetooth® (BLE) non-intrusive connection to suitable mobile device running the OELD mobile app. Range up to 10 m (30 feet) (mobile device dependant) Internal RS-485 connection to Searchpoint Optima Plus or Searchline Excel via SHC-1 through the SHC Protection Device
COMPATIBLE GAS DETECTORS	Searchpoint Optima Plus, Searchline Excel, Searchline Excel Cross-Duct, generic 4 to 20 mA devices
ENVIRONMENTAL PROTECTION	IP66 / Type 4X (in accordance with NEMA 250)
CORE APPROVALS	EN 50270: 2015 (EMC) IEC/EN/UL/CSA 61010 (Electrical Safety)

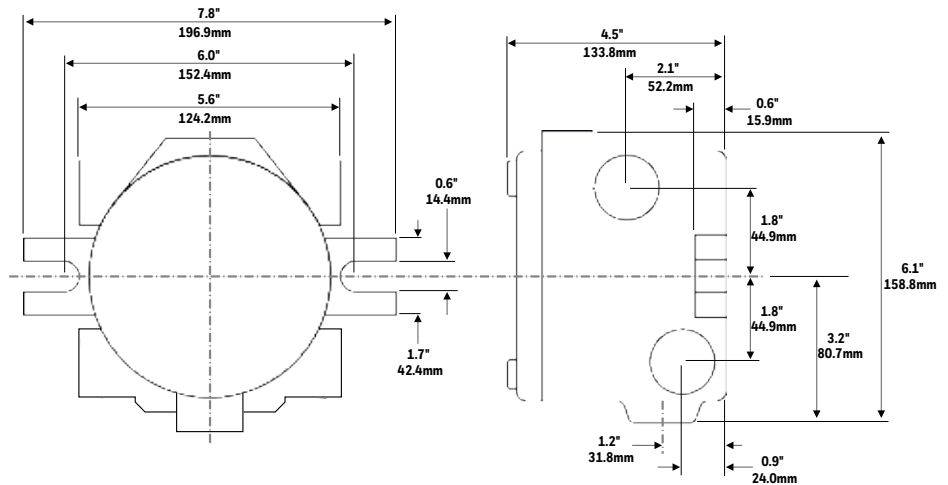
OELD Specifications

OELD SPECIFICATION

	ATEX/IECEX DEMKO 16 ATEX 1693X IECEX [UL 16.0066X] Ⓜ II 2 GD Ex db IIC T6 Ex tb IIIC T85 °C Tamb -40 to +65 °C EN 60079-29-1 Approved Accessory
SAFETY APPROVALS	cULus Class I, Div 1, A, B, C & D Class II, Div 1 F & G, Class III, Div 1 Tamb -55 to +65 °C Temp Code T6 Class I, Zone 1, AEx d IIC T6 Class I, Zone 2, AEx tb IIIC T6 ISA 60079-29-1 CU TR-Ex (Russian Customs Union), Tamb -60 to +65 °C* CCCF* Inmetro* NEPSI+* PESO+*
MARITIME APPROVALS*	Type approved to DNV, BV+, Lloyds+, ABS, EN 60945 (EMC) IEC 60092-504
OTHER APPROVALS	Bluetooth Certified, Radio Equipment Directive (RED), FCC+, country-specific wireless approvals
BLUETOOTH COMMUNICATION SECURITY	Certificate-based mutual authentication. Encryption to AES128

*CONTACT HONEYWELL FOR AVAILABILITY +FLAMEPROOF VERSIONS ONLY

OELD Dimensions



For more information

www.honeywellanalytics.com
www.raesystems.com

Europe, Middle East, Africa

Life Safety Distribution GmbH
 Tel: 00800 333 222 44 (Freephone number)
 Tel: +41 44 943 4380 (Alternative number)
 Middle East Tel: +971 4 450 5800 (Fixed Gas Detection)
 Middle East Tel: +971 4 450 5852 (Portable Gas Detection)

Americas

Honeywell Analytics Distribution Inc.
 Tel: +1 847 955 8200
 Toll free: +1 800 538 0363

Asia Pacific

Honeywell Analytics Asia Pacific
 Tel: +82 (0) 2 6909 0300
 India Tel: +91 124 4752700
 China Tel: +86 10 5885 8788-3000
analytics.ap@honeywell.com

Technical Services

EMEA: HAexpert@honeywell.com
 US: ha.us.service@honeywell.com
 AP: ha.ap.service@honeywell.com

www.honeywell.com

RAE Systems by Honeywell
 Phone: 408.952.8200
 Toll Free: 1.888.723.4800

OELD_DS01176_V1_1216_LTR_EN
 © 2016 Honeywell International Inc.

Honeywell
 THE POWER OF CONNECTED