

Capacities/Specifications

Capacities are shown in the table below for Series FG PRESSURE BLOWERS. At the left side of table, the nominal pressure range is indicated based on total pressure (static plus velocity pressures) using test systems in accordance with AMCA Standard 210-67 and based on 1.0 service factor.

Blower Designation is 3-part:

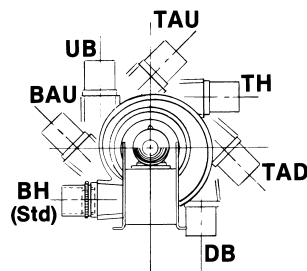
- Letter C.
- Nominal on-ratio system capacity in thousands of Btu/hr.
- Nominal pressure rating (osi).

Rated CFM (60 Hz operation) and discharge connection size (in inches) are shown for each available blower. Optional silencers and/or filters (when clean) cause no significant reduction in pressure or volume. 50 Hz operation will give lower rotational speed and so reduced pressure (approximately .69 times 60 Hz rating) and flow (approximately .83 times 60 Hz rating).

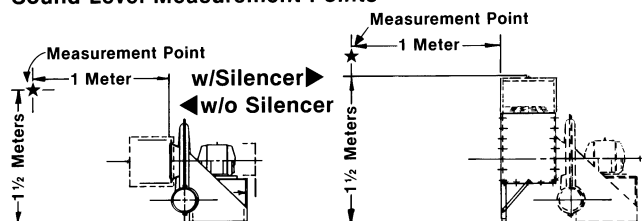
Sound level columns indicate test readings taken at the location shown at right, both with and without silencer and using rating scale dB(A).

The balance of the table indicates approximate shipping weights, as well as motor horsepower and frame for each of the blower designations.

Unless one of the alternate discharge positions illustrated at right is specified at the time of order, blower will be furnished in discharge position BH (Bottom Horizontal).



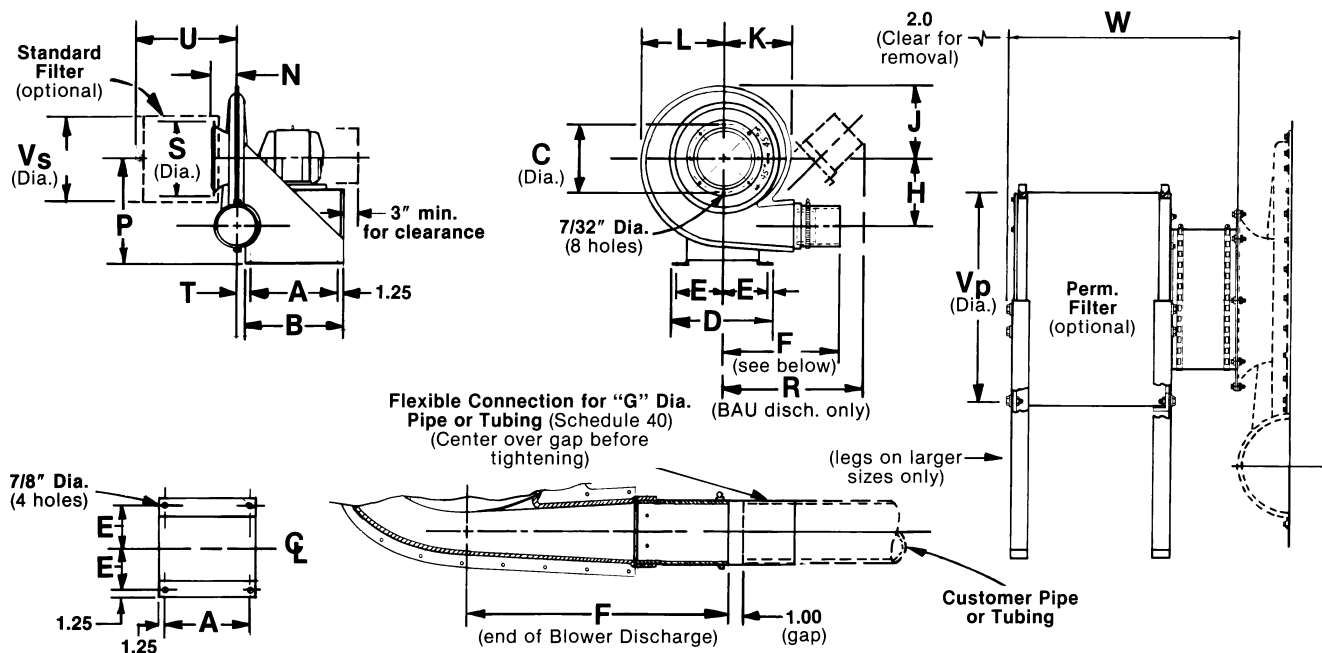
Sound Level Measurement Points



Blower					TE Motor		Sound Level dB(A)	
OSI	Designation	CFM	Discharge (")	Weight (lbs.)	HP	Frame	less Silencer	with Silencer
12	C-1450-12	242	4	115	1-1/2	143T	77.5	72.0
	C-2060-12	340	4	125	2	145T	79.3	73.0
	C-3480-12	580	6	155	3	182T	83.4	74.7
	C-6360-12	1060	6	175	5	184T	87.0	79.5
	C-9300-12	1550	8	240	7-1/2	213T	91.3	83.0
	C-12000-12	2000	10	280	10	215T	96.3	82.4
16	C-17460-12	2910	12	415	15	254T	100.7	83.4
	C-1400-16	234	4	125	2	145T	83.0	79.6
	C-2370-16	395	4	150	3	182T	82.1	75.2
	C-4520-16	753	6	175	5	184T	88.7	80.8
	C-7020-16	1170	6	230	7-1/2	213T	90.6	81.4
	C-9900-16	1650	8	275	10	215T	93.1	84.6
20	C-14400-16	2400	10	405	15	254T	98.3	85.5
	C-18300-16	3050	12	450	20	256T	103.6	85.9
	C-2940-20	490	6	255	5	184T	88.0	80.0
	C-5450-20	908	6	310	7-1/2	213T	88.5	82.3
	C-7140-20	1190	8	350	10	215T	93.9	84.9
	C-10500-20	1750	10	440	15	254T	99.5	85.9
24	C-14880-20	2480	10	470	20	256T	99.8	87.5
	C-18840-20	3140	12	685	25	284TS	103.6	88.0
	C-22740-20	3790	12	740	30	286TS	103.7	88.9
	C-30960-20	5160	12	920	40	324TS	105.0	96.0
	C-2160-24	360	6	255	5	184T	92.3	88.6
	C-3800-24	633	6	315	7-1/2	213T	90.4	84.2
24	C-6060-24	1010	6	350	10	215T	90.4	84.1
	C-9180-24	1530	8	440	15	254T	96.9	88.1
	C-11220-24	1870	10	475	20	256T	103.0	89.5
	C-15780-24	2630	10	670	25	284TS	101.2	88.3
	C-17600-24	2933	12	740	30	286TS	106.5	90.9
	C-24720-24	4120	12	920	40	324TS	105.0	96.0
	C-32250-24	5375	12	1005	50	326TS	[1]	[1]

[1] Test data not available.

Dimensions *(nominal, in inches)*



Dimensions are summarized in Tables 1 and 2 below. For discharge size (standard or with optional reducer), see Table 1. Also shown there is the appropriate line number in Table 2 for all other dimensions for your blower pressure and size.

For example, Table 1 indicates that a C-7200-16 Blower has a 6" discharge connection and that other dimensions will be found on line 4 of Table 2.

Table 1: Line Numbers and Discharge Sizes

12 oz. Blowers				16 oz. Blowers				20 oz. Blowers				24 oz. Blowers			
Size	Line	Discharge Size		Size	Line	Discharge Size		Size	Line	Discharge Size		Size	Line	Discharge Size	
		Std.	Reduced			Std.	Reduced			Std.	Reduced			Std.	Reduced
C-1450-12	1	4"	3"	C-1400-16	1	4"	3"	C-2940-20	7	6"	4"	C-2160-24	7	6"	4"
C-2060-12	1	4"	3"	C-2370-16	1	4"	3"	C-5450-20	7	6"	4"	C-3800-24	7	6"	4"
C-3480-12	2	6"	4"	C-4520-16	2	6"	4"	C-7140-20	8	8"	6"	C-6060-24	7	6"	4"
C-6360-12	2	6"	4"	C-7020-16	4	6"	4"	C-10500-20	9	10"	8"	C-9180-24	8	8"	6"
C-9300-12	3	8"	6"	C-9900-16	3	8"	6"	C-14880-20	9	10"	8"	C-11220-24	9	10"	8"
C-12000-12	5	10"	8"	C-14400-16	5	10"	8"	C-18840-20	11	12"	10"	C-15780-24	10	10"	8"
C-17460-12	6	12"	10"	C-18300-16	6	12"	10"	C-22740-20	11	12"	10"	C-17600-24	11	12"	10"
---	---	---	---	---	---	---	---	C-30960-20	13	12"	10"	C-24720-24	12	12"	10"
---	---	---	---	---	---	---	---	---	---	---	---	C-32250-24	13	12"	10"

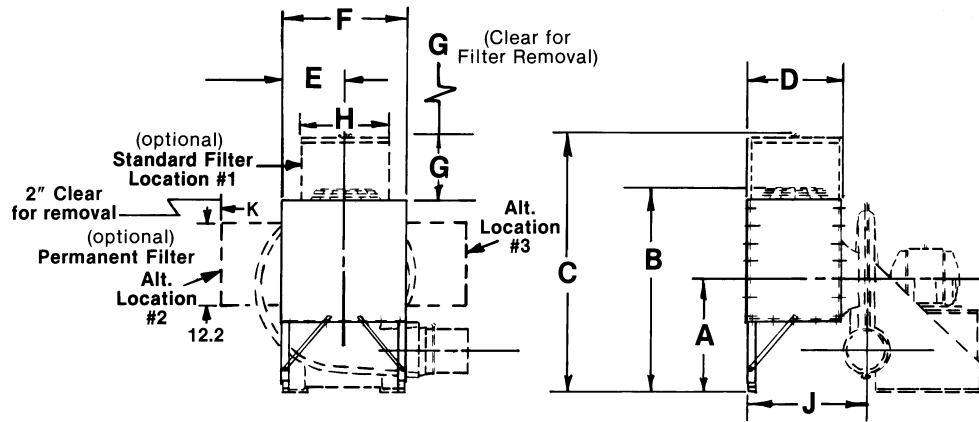
Table 2: Dimensions

Line	A	B	C	D	E	F	G	H	J	K	L	N	P [1]	R	S	T	U	V _s	V _p	W
1	12.0	14.5	13.5	19.5	8.5	18.16	4.5	12.87	13.81	13.06	14.56	5.94	21.5	26.71	14.0	3.06	10.56	16.0	12.2	10.4
2	12.0	14.5	13.5	19.5	8.5	20.31	6.62	12.98	13.75	12.62	14.94	6.62	21.5	29.12	14.25	3.25	11.28	16.0	12.2	10.4
3	16.5	19.0	14.5	19.5	8.5	21.28	8.63	13.62	14.38	12.94	15.81	6.93	21.38	31.06	15.25	2.87	13.69	17.0	12.2	14.0
4	16.5	19.0	13.5	19.5	8.5	20.31	6.62	12.98	13.75	12.62	14.94	6.62	21.38	29.12	14.25	3.25	11.28	16.0	12.2	10.4
5	20.87	23.38	16.5	19.5	8.5	21.25	10.75	14.7	14.94	13.0	17.25	8.12	26.0	32.43	17.5	3.95	20.38	19.0	18.3	16.1
6	20.87	23.38	18.5	19.5	8.5	20.7	12.75	15.7	15.62	13.25	18.44	8.16	26.0	33.5	19.5	3.94	26.5	21.0	22.3	25.8
7	18.0	20.5	13.5	23.5	10.5	23.38	6.62	16.46	17.25	16.22	18.37	6.22	23.25	33.68	14.25	2.91	10.88	16.0	12.2	10.4
8	20.87	23.38	14.5	22.5	10.0	22.82	8.63	16.88	17.5	16.12	19.0	6.32	24.59	34.31	15.25	3.01	13.09	17.0	12.2	14.0
9	18.0	20.5	16.5	21.5	9.5	23.75	10.75	16.92	17.25	15.5	19.5	7.53	26.0	35.75	17.5	3.21	19.78	19.0	18.3	16.1
10	23.5	26.0	16.5	24.5	11.0	22.25	10.75	16.92	17.25	16.22	19.5	7.53	29.0	35.75	17.5	3.21	19.78	19.0	18.3	16.1
11	23.5	26.0	18.5	24.5	11.0	23.24	12.75	18.61	18.69	16.38	21.44	5.27	29.0	34.20	19.5	2.40	26.85	21.0	22.3	25.8
12	25.25	27.75	18.5	28.0	12.75	23.24	12.75	18.61	18.69	16.38	21.44	8.12	29.0	37.25	19.5	3.91	26.06	21.0	22.3	25.8
13	25.25	27.75	18.5	28.0	12.75	23.42	12.75	18.76	18.91	16.62	21.72	8.34	29.0	37.5	19.5	4.27	22.96	36.0	22.3	31.3

[1] Optional dampener pad sets (if added) raise blower 1".

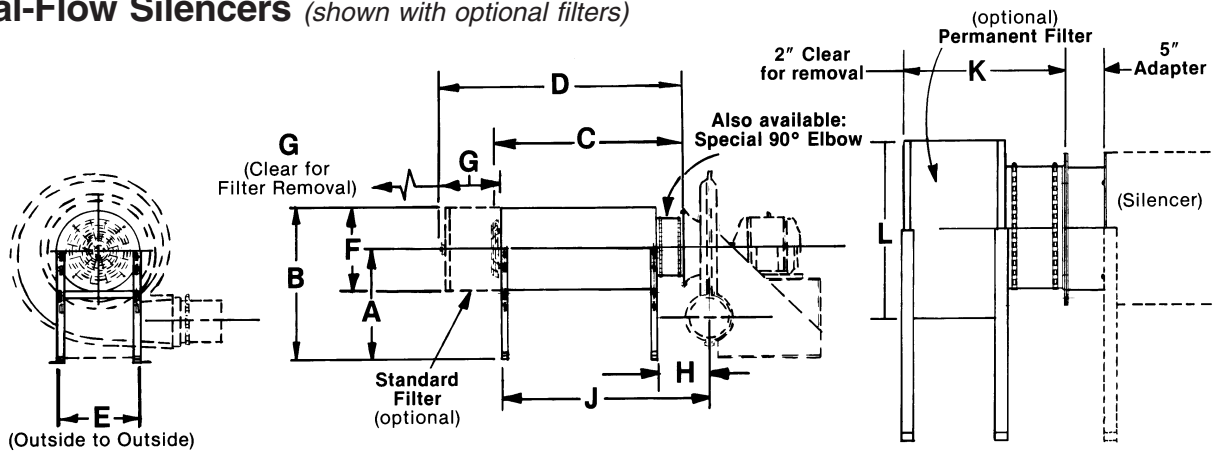
Dimensions *(nominal, in inches)*

Box-Type Silencers *(shown with optional filters)*



12 oz.	16 oz.	20 oz.	24 oz.	A	B	C	D	E	F	G	H	J	K
C-1450-12	C-1400-16	---	---	21.5	33.69	38.38	16.0	8.0	16.0	6.88	16.0	20.79	10.4
C-2060-12	C-2370-16	---	---	21.5	38.69	43.38	17.0	11.0	22.0	6.88	16.0	22.87	10.4
C-3480-12	C-4520-16	---	---	23.25	40.44	45.09	17.0	11.0	22.0	6.88	16.0	22.47	10.4
C-6360-12	C-7020-16	---	---	21.38	40.0	46.82	19.0	12.0	24.0	9.0	17.0	24.18	14.0
---	---	C-2940-20	C-2160-24	24.59	42.21	49.03	19.0	12.0	24.0	9.0	17.0	23.57	14.0
---	---	C-5450-20	C-3800-24										
---	---	---	C-6060-24										
C-9300-12	C-9900-16	---	---										
---	---	C-7140-20	C-9180-24										

Axial-Flow Silencers *(shown with optional filters)*



12 oz.	16 oz.	20 oz.	24 oz.	A	B	C	D	E	F	G	H	J	K	L
C-12000-12	C-14400-16	---	---	26.0	35.5	44.81	57.0	18.9	19.0	14.5	12.28	48.56	16.1	18.3
---	---	C-10500-20	C-11220-24	26.0	35.5	44.81	57.0	18.9	19.0	14.5	11.59	47.95	16.1	18.3
---	---	C-14880-20	---	29.0	38.5	44.81	57.0	18.9	19.0	14.5	11.59	47.95	16.1	18.3
---	---	---	C-15780-24	29.0	39.5	50.81	69.16	21.15	21.0	20.62	11.78	59.14	25.8	22.3
---	---	C-18840-20	C-17600-24											
---	---	C-22740-20	C-24720-24											
C-17460-12	C-18300-16	---	---	26.0	36.5	50.81	69.16	21.15	21.0	20.62	12.36	54.65	25.8	22.3
---	---	C-30960-20	C-32250-24	29.0	39.5	50.81	63.31	21.15	36.0	14.62	12.4	54.76	31.3	22.3

Notes