


Eclipse ImmersoPak Burners

Model IP008

Data sheet Edition 11-16

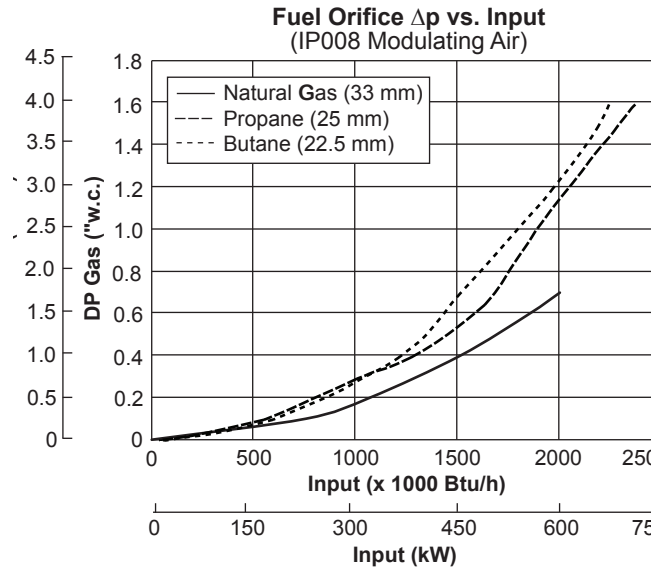
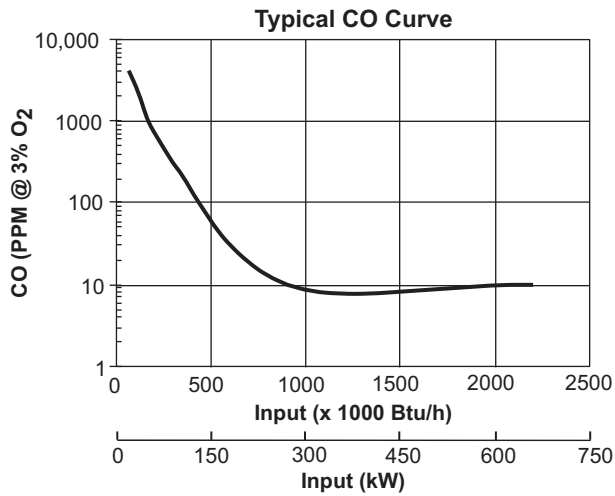
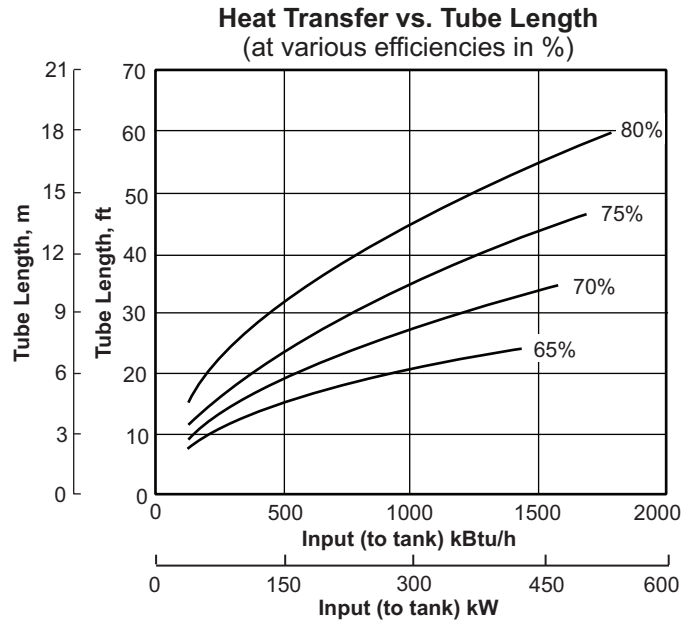
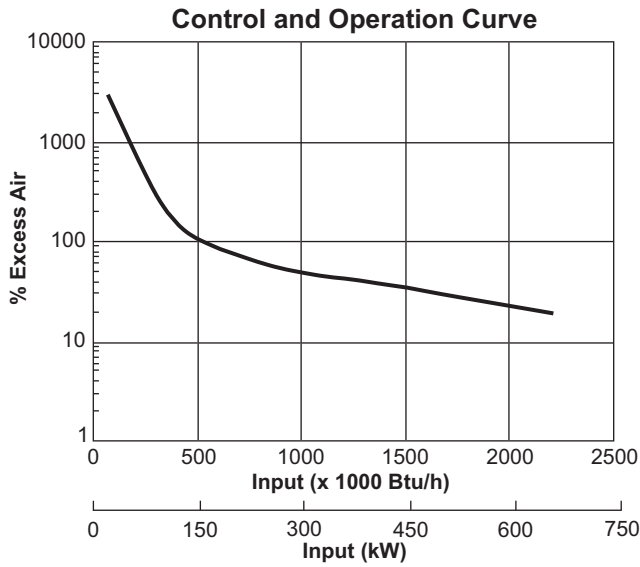
Version 4

Parameter	Modulating Air		
	Natural Gas	Propane	Butane
Maximum Input, kBtu/h (kW)	2050 (600)	2350 (688)	2250 (659)
Low Firing Rate x 1000 Btu/h (kW)	40 (12)	60 (17.5)	60 (17.5)
High Fire CO, ppm	< 15	< 60	< 60
Orifice Size, mm	33	25	22.5
Air Inlet Pressure at Maximum Input, "w.c. (mbar) <i>Air pressure at burner inlet (Tap A)</i>	3 (7.5)		
Main Gas Inlet Pressure, "w.c. (mbar)	Maximum	75 (187)	
	Minimum	15 (37)	
	Recommended	18 (45)	
Weight - less actuator, lbs (kg)	160 (72.5)		
Blower Type	10" Packaged		
Piping	NPT or BSP		
Flame Detection	UV Scanner		
Approvals			

- All information is based on laboratory testing with a tube effective length of 35.3 feet (10.8 m). Different tube sizes and conditions (including back pressure) may affect the data.
- All information is based on standard tube design. Changes in the tube will alter performance and pressures.
- All inputs based upon gross calorific values.
- Plumbing of air and gas will affect accuracy of orifice readings. All information is based on generally acceptable air and gas piping practices.
- For 65% to 80% efficiency at high fire, tube length should be 25 to 60 feet long.
- See Design Guide 360 for more information about typical fuel composition and properties
- Eclipse reserves the right to change the construction and/or configuration of our products at any time without being obliged to adjust earlier supplies accordingly.

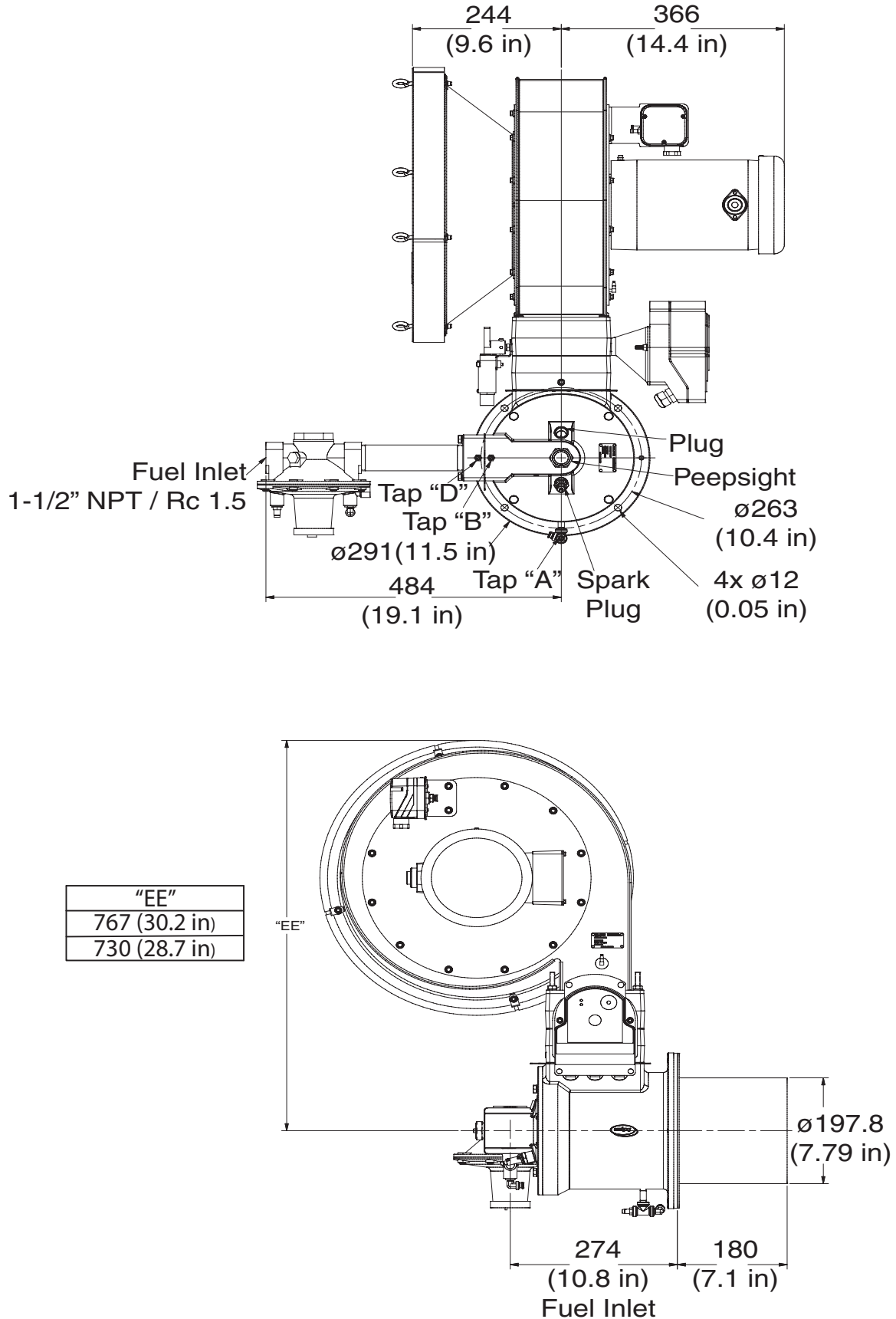
Honeywell

Performance Graphs



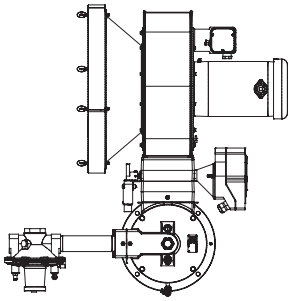
Dimensions and Specifications

Dimensions in mm (inches)

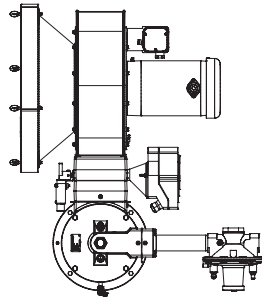


Burner Configurations

Upright

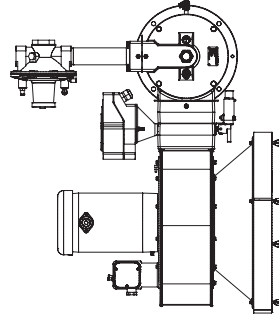


LeftHand Piping

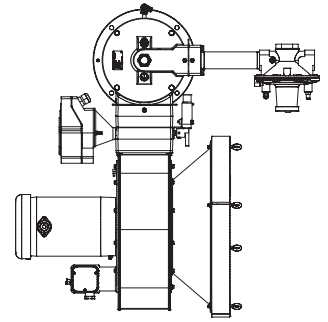


Right Hand Piping

Inverted



Left Hand Piping



Right Hand Piping

Distributed by:



Relevant Solutions | 888-858-3647 | relevantsolutions.com