


Eclipse ImmersoPak Burners

Model IP008

Data sheet Edition 11-16

Version 4

Parameter	Modulating Air		
	Natural Gas	Propane	Butane
Maximum Input, kBtu/h (kW)	2050 (600)	2350 (688)	2250 (659)
Low Firing Rate x 1000 Btu/h (kW)	40 (12)	60 (17.5)	60 (17.5)
High Fire CO, ppm	< 15	< 60	< 60
Orifice Size, mm	33	25	22.5
Air Inlet Pressure at Maximum Input, "w.c. (mbar) <i>Air pressure at burner inlet (Tap A)</i>	3 (7.5)		
Main Gas Inlet Pressure, "w.c. (mbar)	Maximum	75 (187)	
	Minimum	15 (37)	
	Recommended	18 (45)	
Weight - less actuator, lbs (kg)	160 (72.5)		
Blower Type	10" Packaged		
Piping	NPT or BSP		
Flame Detection	UV Scanner		
Approvals			

- All information is based on laboratory testing with a tube effective length of 35.3 feet (10.8 m). Different tube sizes and conditions (including back pressure) may affect the data.
- All information is based on standard tube design. Changes in the tube will alter performance and pressures.
- All inputs based upon gross calorific values.
- Plumbing of air and gas will affect accuracy of orifice readings. All information is based on generally acceptable air and gas piping practices.
- For 65% to 80% efficiency at high fire, tube length should be 25 to 60 feet long.
- See Design Guide 360 for more information about typical fuel composition and properties
- Eclipse reserves the right to change the construction and/or configuration of our products at any time without being obliged to adjust earlier supplies accordingly.

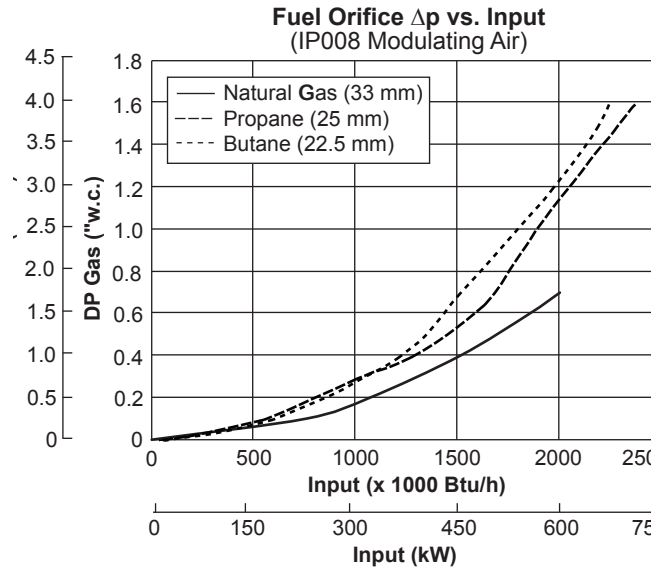
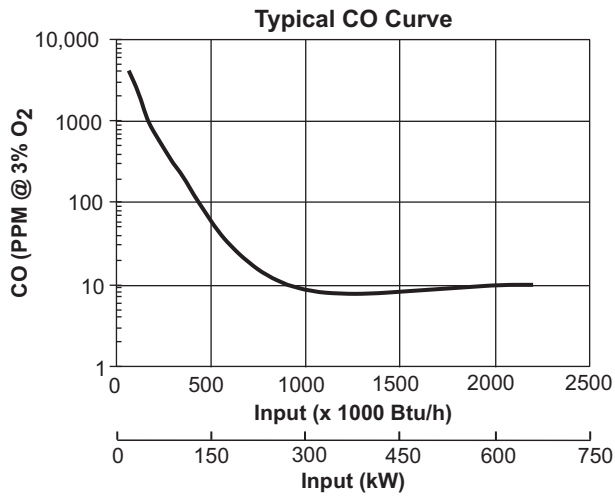
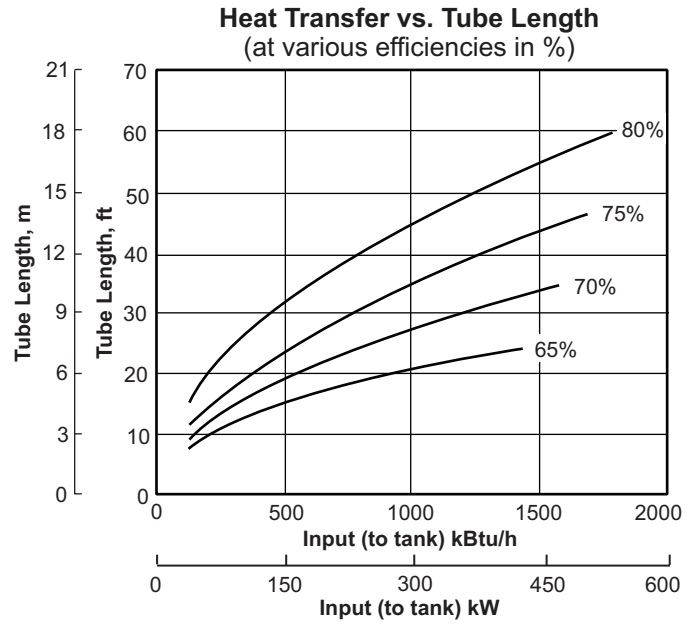
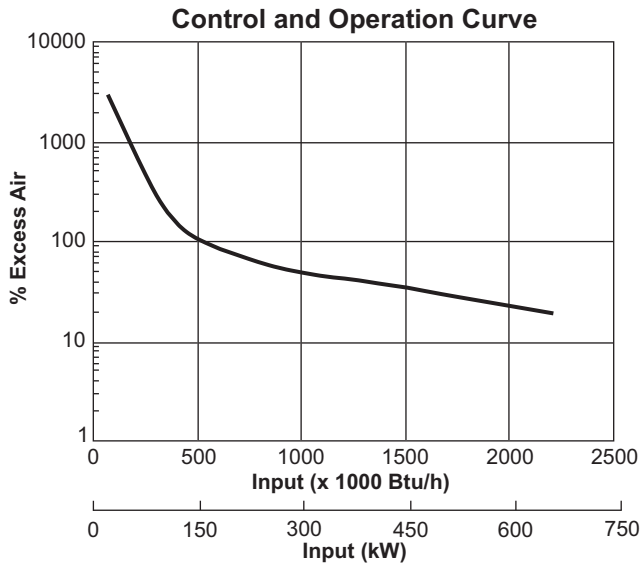
Distributed by:



888.858.3647 | relevantsolutions.com

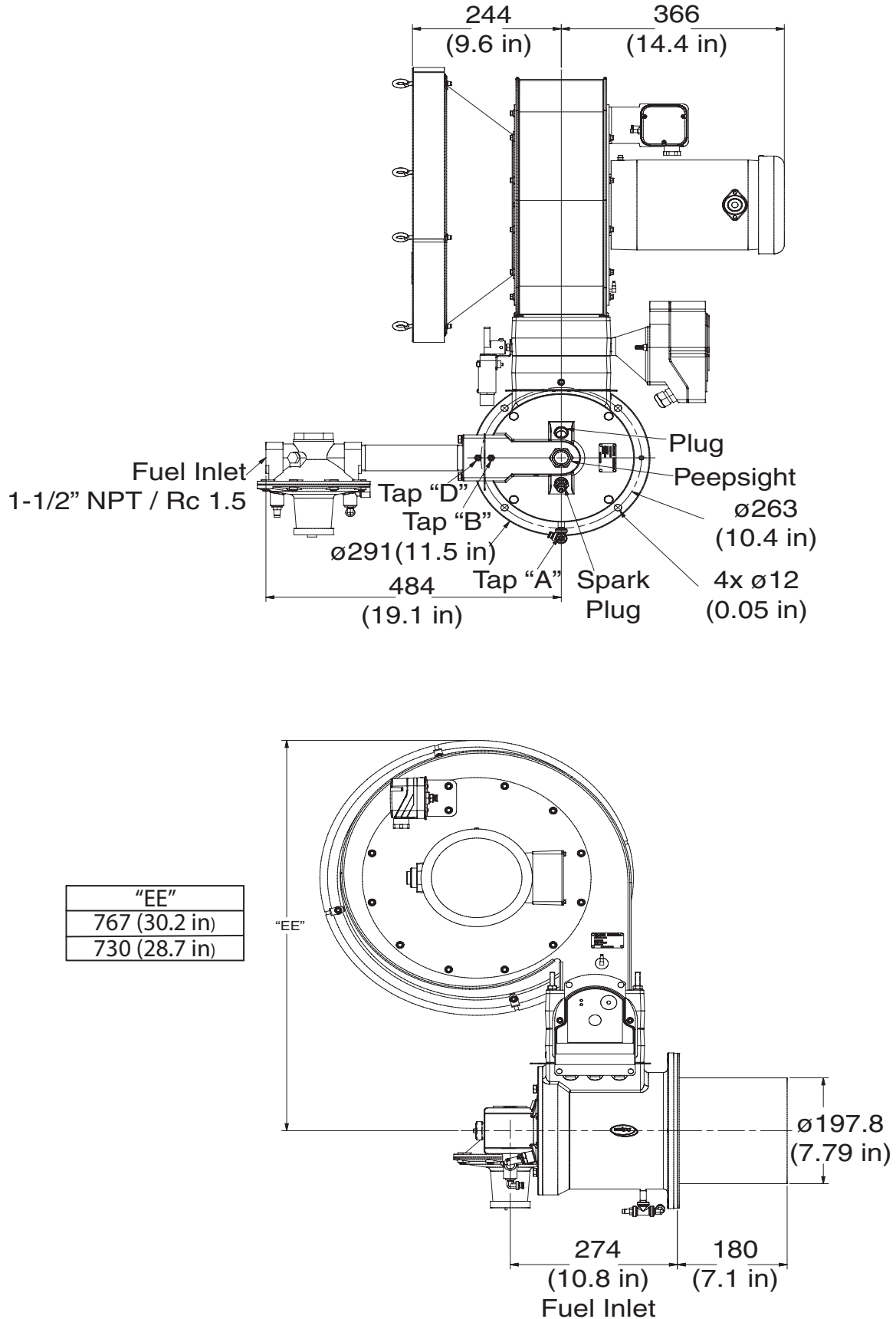
Honeywell
ECLIPSE®

Performance Graphs



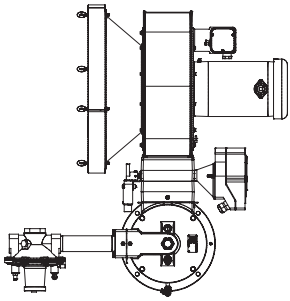
Dimensions and Specifications

Dimensions in mm (inches)

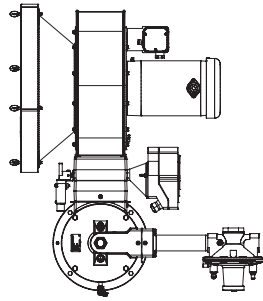


Burner Configurations

Upright

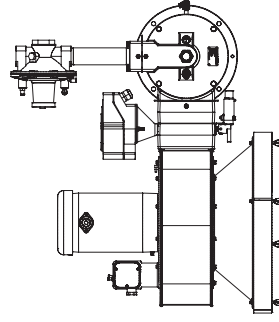


LeftHand Piping

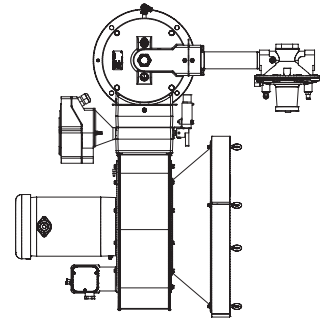


Right Hand Piping

Inverted



Left Hand Piping



Right Hand Piping