


Eclipse Tube Firing

Burner

Model TFB030

Version 2

Parameter		Burner Input 1000's Btu/h (kW)		
		100 (29.3)	200 (58.6)	300 (87.8)
Low Firing Rate x 1000 Btu/h (kW)¹ <i>At 100% excess air</i>	Without Flame Safety	5 (1.5)	5 (1.5)	5 (1.5)
	With Flame Safety	10 (2.9)	10 (2.9)	10 (2.9)
Air Inlet Pressure, "w.c. (mbar)² <i>Measured between Taps A and B (see pages 3 and 4)</i>		8.2 (20.4)	9.5 (23.7)	9.0 (22.4)
Air Flow, SCFH (Nm³/h) <i>At 15% excess air</i>		1150 (32.6)	2300 (65.1)	3450 (97.7)
Differential Gas Pressure, "w.c. (mbar)³ <i>Between Taps C and D (see pages 3 and 4)</i>	Natural Gas	5.3 (13.2)	4.2 (10.5)	4.4 (11.0)
	Propane	1.7 (4.2)	3.8 (9.5)	4.0 (10.0)
	Butane	5.9 (14.8)	5.5 (13.7)	6.8 (16.9)
Piping		NPT or BSP burner piping is available		
Flame Detection⁴		Flame rod, UV Scanner		
Ignition		Direct spark ignition (6 kVAC)		
Fuels <i>For any other mixed gas, contact Eclipse, Inc.</i>		Natural gas, propane, butane		
Maximum PCA Temperature, °F (°C)		1000 (540)		
Weight⁵, lbs (kg)		20 to 29 (9 to 13)		
Approvals				

All inputs based on gross calorific values.

Eclipse reserves the right to change the construction and/or configuration of our products at any time without being obliged to adjust earlier supplies accordingly.

Plumbing of air and gas will affect accuracy of orifice readings. All information is based on generally acceptable air and gas piping practices.

¹ The low firing rate represents the capability of the burner. Achievement of this rate will be affected by the control method and ratio-regulator used in the system design.

² Total static air pressure required will be the sum of the differential pressures and the static air pressure, as indicated on pages 2 and 3.

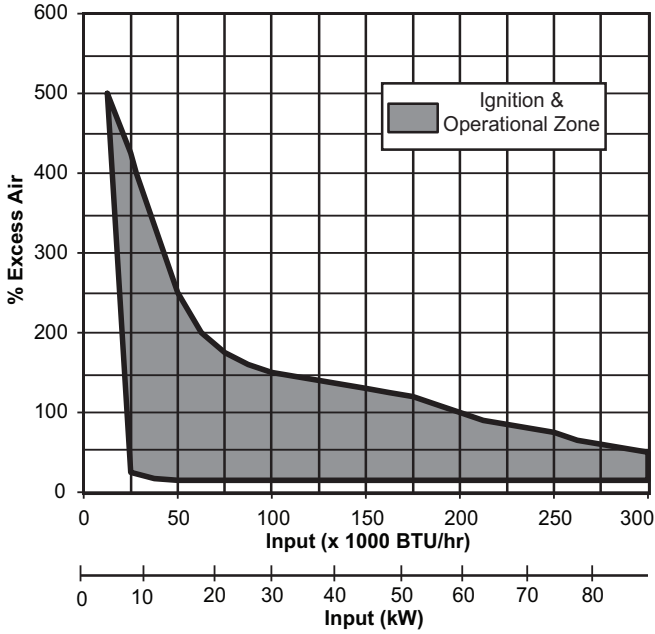
³ Gas pressures shown are for system sizing only. Provisions must be made to supply fuel pressure at the burner fuel input port at least 3" w.c. higher than the differential pressure shown in the tables.

⁴ Flame rod not available with preheated combustion air (PCA). Contact Eclipse if PCA and propane/butane will be used in combination.

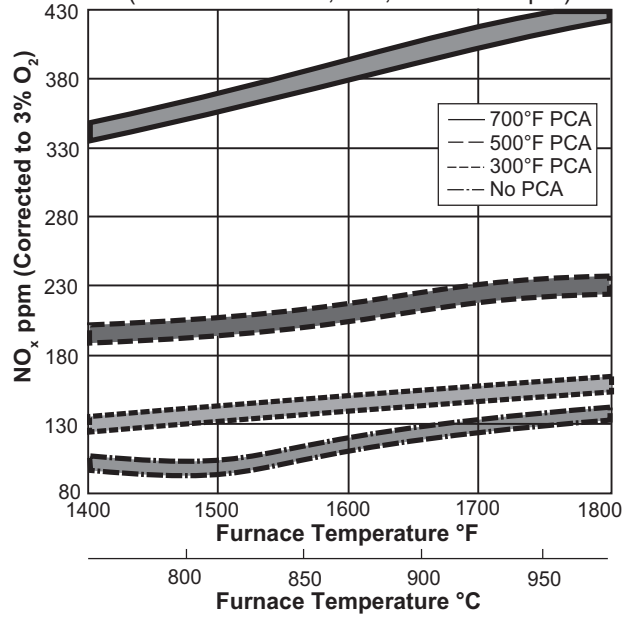
⁵ All weights are approximate.

Performance Graphs

Ignition & Operation Zone



NOx Emission (On ratio) (Natural Gas Fuel, 300,000 Btu/h Input)



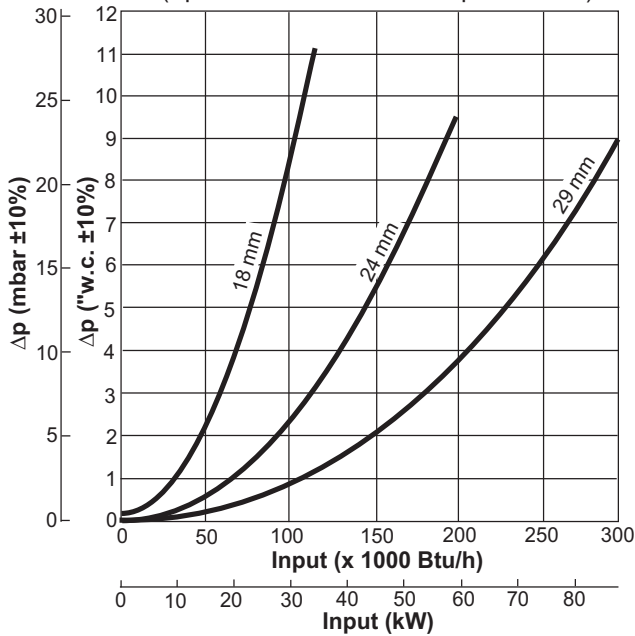
CO emissions are less than 10ppm (corrected to 3% O₂) for furnace temperatures between 1400°F and 1800°F. Emissions from the burner are influenced by:

- fuel type
- combustion air temperature
- chamber conditions
- percent of excess air

For estimates of other emissions, contact Eclipse Inc.

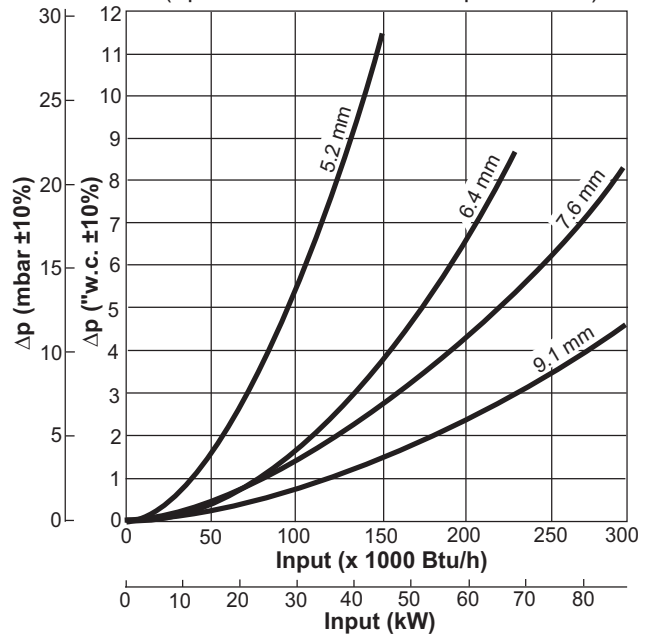
Air Orifice Δp vs. Input

(Δp Measured Between Taps A and B)

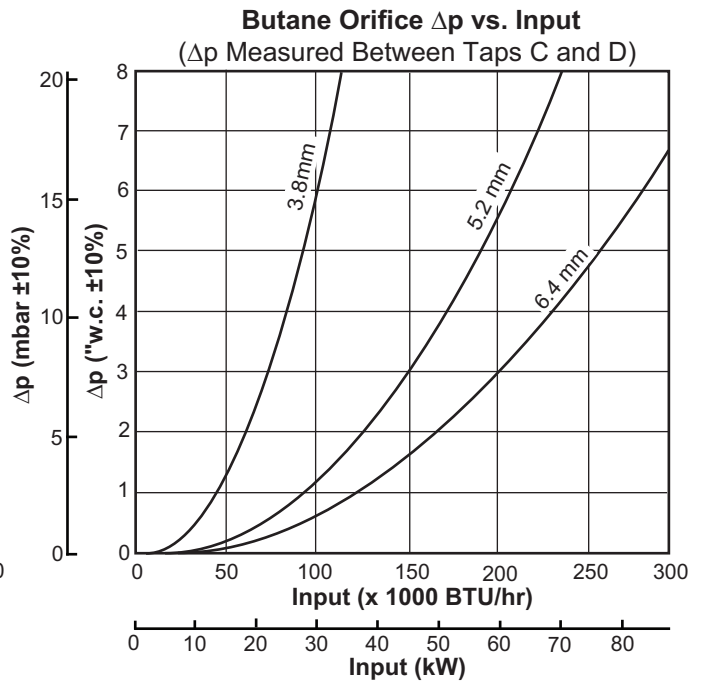
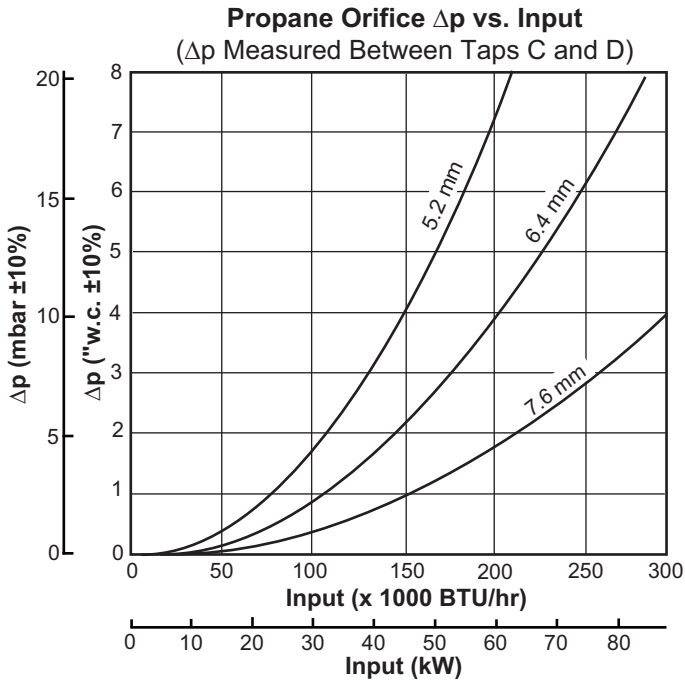


Natural Gas Orifice Δp vs. Input

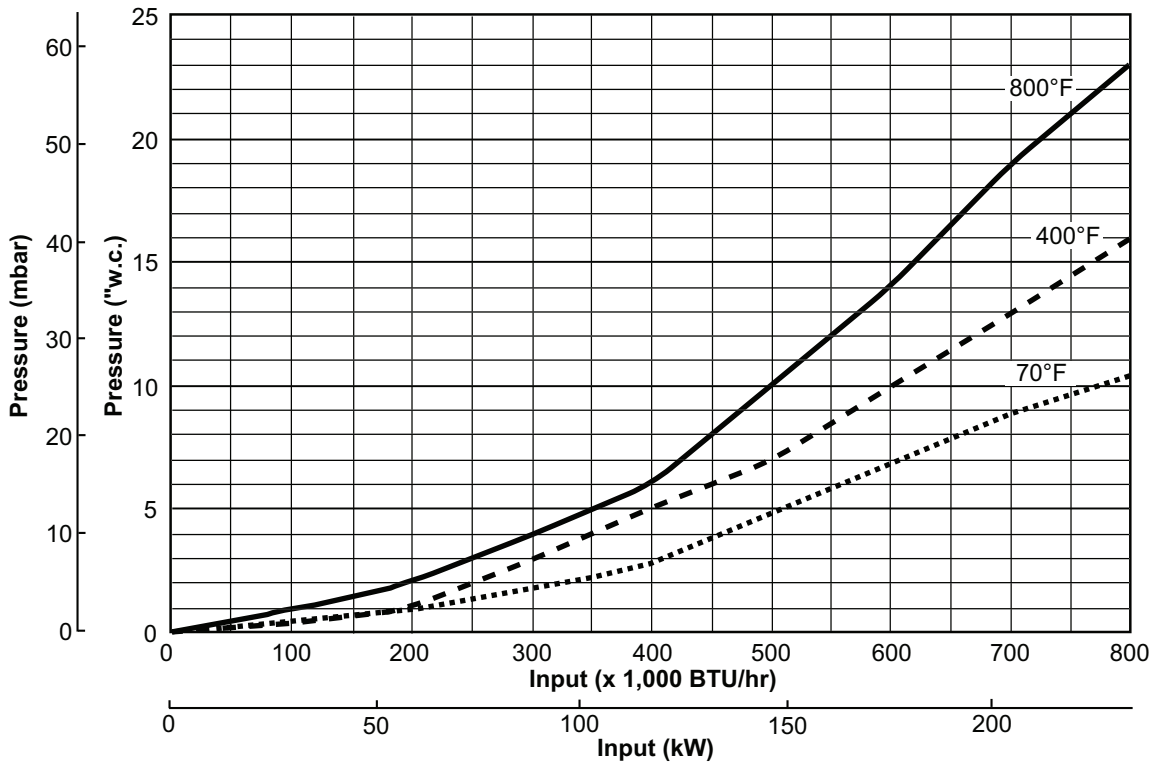
(Δp Measured Between Taps C and D)



Performance Graphs (Continued)



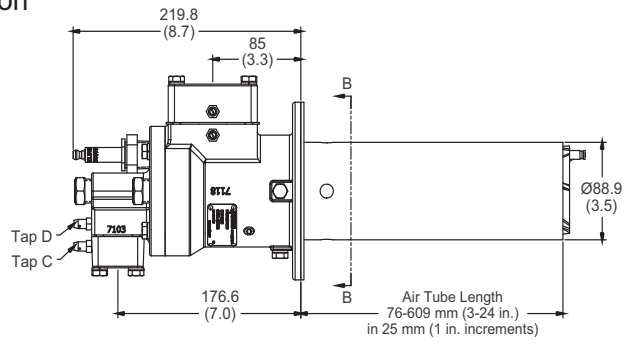
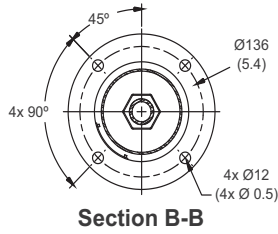
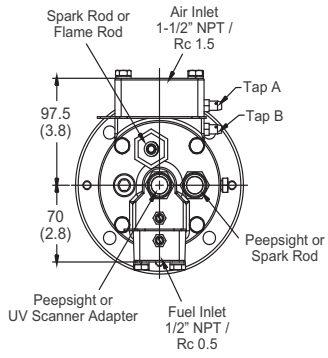
Static Pressure at the Air Inlet (no air orifice)



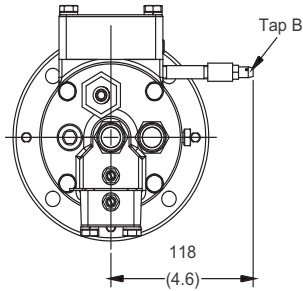
Dimensions and Specifications

Dimensions in mm (inches)

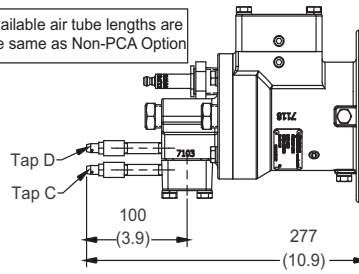
Non-PCA Option



PCA Option (includes tap extensions)



Available air tube lengths are the same as Non-PCA Option



Distributed by:



888.858.3647 | relevantsolutions.com