

BBG

Gas Beta Burner

BBG-1
Edition 01-14



BBG shown with pilot ignition and converging tile options.

- All-purpose, high input industrial burner
- High quality, rugged steel design
- Low air and fuel pressure requirements
- Engineered to operate across a broad range of air/fuel ratios
- Optimized to produce low emissions levels
- Available options include:
 - Lightweight alloy tile
 - Converging or diverging refractory tile
 - UV or ionization flame supervision
 - Insulated versions for preheated air up to 900°F (480°C)
 - Direct spark or pilot ignition



www.hauckburner.com

Distributed by Relevant Solutions | 1.888.858.3647 | relevantsolutions.com

Hauck's BBG Gas Beta Burner is designed for durability and long life in continuous or intermittent operation in a wide variety of heating environments. Low air and fuel pressure requirements make it an ideal all-purpose burner for applications including thermal fluid heaters, oxidizers, rotary kilns, gypsum kettles, air heaters, and incinerators. The BBG operates in applications under pressure or suction. Burner capacities range from 3.1 million to more than 123 million Btu/hr (820 to 32,520 kW). The burner is designed to operate on any clean industrial fuel gas with a higher heating value greater than 500 Btu/scf (19.7 MJ/nm³) with ambient or preheated combustion air. The BBG can meet stringent emissions requirements in most applications and is well suited to work with a firing tube or with flue gas recirculation (FGR).

Available with an alloy tile for ambient combustion air and application temperatures up to 1800°F (980°C), or a refractory tile for application temperatures up to 2800°F (1540°C). Converging or diverging refractory tiles are available. The burner also supports angled burner ports or customer supplied shapes within certain criteria. With a refractory tile, the 1000 and 2000 series can operate with air preheat temperatures up to 300°F (150°C). The 3000 series has an insulated body that can operate with preheated air up to 900°F (480°C).

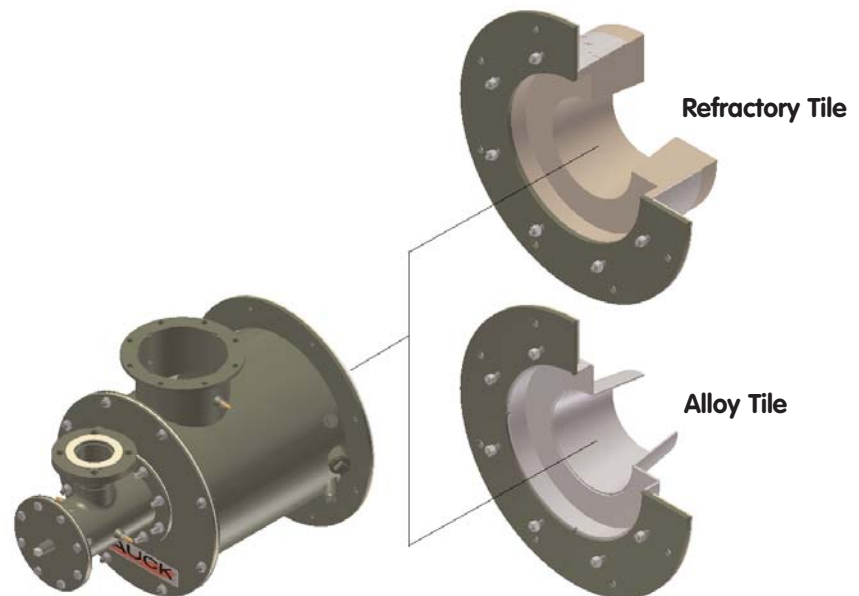
On ratio turndown is approximately 10:1 with higher thermal turndown possible with excess air firing. Nominal burner air supply pressure is 16 osig (68.9 mbar). Nominal gas supply pressure is 4 osig (17.2 mbar).

Hauck recommends the use of a self-supporting refractory or alloy tile for soft and hardwall applications. An optional mandrel for field pouring of a burner port can be supplied. Consult Hauck for mounting options. Direct spark ignition is available on the BBG_204 through _212 burners, while gas pilot ignition is available on all burners. - *order separately*

The BBG burner utilizes UV flame supervision on all models, while the BBG1_04 through 1_12 (alloy baffle) also support the use of an ionization rod. The BBG burner conforms to EN 762-2 (2010) and EN ISO 12100 (2010) standards.

Customized heating packages available complete with:

- Fuel manifolds with Hauck and KromSchroder components
- Hauck blower and pre-piped air manifold
- Customized control panels designed to meet your process needs



BBG Burner with Tile Options

All products are backed by industry leading customer support, including 24/7 phone support from technical specialists in the USA.

For additional information on this product, visit our website at:

www.hauckburner.com

Hauck Manufacturing Company
100 North Harris Street
Cleona, PA 17042

T +1 717-272-3051
F +1 717-273-9882
info@hauckburner.com



Copyright © 2013 Elster Group