

Specifications of OXY-THERM® LE FF

| Typical burner data | | |
|--|----------------|---------------------------|
| Fuel: natural gas at 60°F with 1000 Btu/ft ³ (st) HHV - sg = 0.6 [1] | | |
| Combustion air: 60°F - 21% O ₂ - 50% humidity - sg = 1.0 [1] | | |
| Stated pressures are indicative. Actual pressures are a function of air humidity, altitude, type of fuel and gas quality | | |
| Standard capacity range in 1000's Btu/h | kBtu/h | 250 to 15,000 [2] |
| Turndown | | 4:1 |
| Required pressures to burner inlet for maximum capacities [3] | Oxygen | See oxygen pressure chart |
| | Natural gas | psig 0.5 - 8 [3] |
| | Propane | psig 1 - 20 [3] |
| Typical oxygen to fuel volumetric ratios [4] | To natural gas | 2.05 to 1 |
| | To propane | 5.1 to 1 |

[1] sg (specific gravity) = relative density to air (density air = 0.0763 lb/ft³ (st))

[2] Higher capacities available; contact MAXON for details.

[3] OXY-THERM® LE FF burners are custom drilled to meet your application and utility requirements. Please contact MAXON for specific details.

[4] Exact calorific values should be checked and oxygen/fuel ratio adjusted accordingly.

Materials of construction

| Burner part | Material |
|-------------|-----------------|
| Housing | 304 SS (1.4301) |
| Nozzle | 304 SS (1.4301) |
| Block | Zedpave C |

Selection criteria

Application details

OXY-THERM® LE FF burners can be used in furnaces and melters, unit melters, steel reheat furnaces, reverberatory furnaces, and other high temperature applications.

Application temperatures

The OXY-THERM® LE FF burners are suitable for furnaces and melters with temperatures up to 3050°F .

Fuels

OXY-THERM® LE FF burners are designed for firing on any clean fuel gas.

Flame supervision

Flame scanning is possible down the fuel nozzle. Flame scanner cannot be used through pilot location to see main flame. Flame rod is not available.

Piloting and ignition

Use oxy-fuel pilot only. (See page 3-18.2-9.)

| Oxy-fuel pilot specifications | | | |
|-------------------------------|----------|---------------|----------------|
| Fuel | Flow cfh | Pressure " wc | Capacity Btu/h |
| Natural gas | 25 | 2.25 | 25,000 |
| Propane | 10 | 0.83 | |
| Oxygen | 53 | 0.5 | |

Oxygen/gas ratio controls

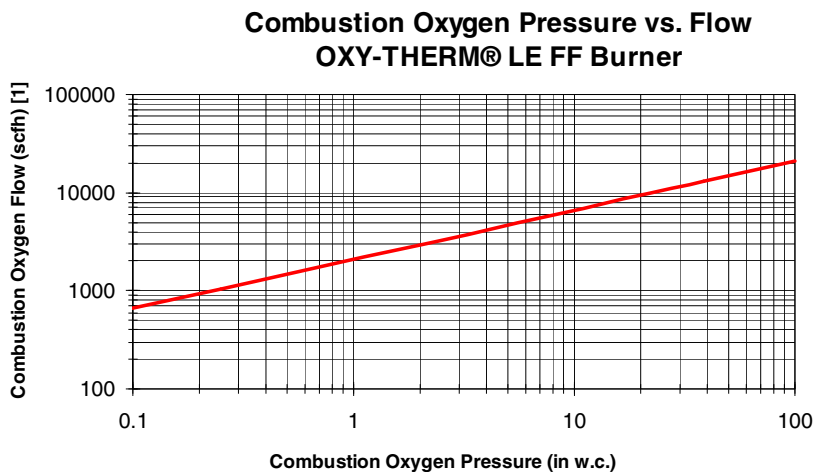
For best performance, MAXON suggests the use of the SMARTFIRE™ Intelligent Combustion Control System for dynamic, self-optimizing control.

Calibrated flowmeters in the fuel and the oxygen line are recommended for establishing accurate volumetric flow rates.

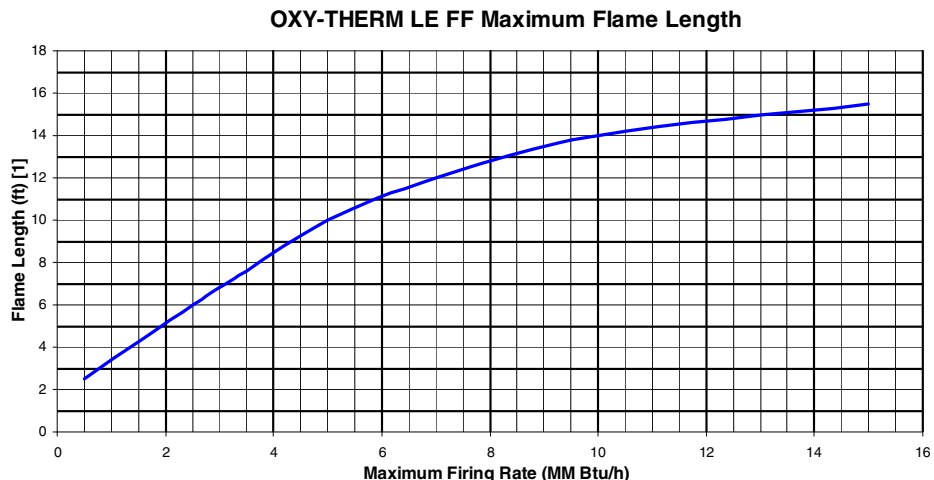
Burner blocks or sleeves

OXY-THERM® LE FF burners are available with refractory block only. The alumina, zirconia, silica composition (AZS) block is suitable for temperatures up to 3050°F . Optional refractory materials available upon request.

Combustion oxygen pressure vs. flow

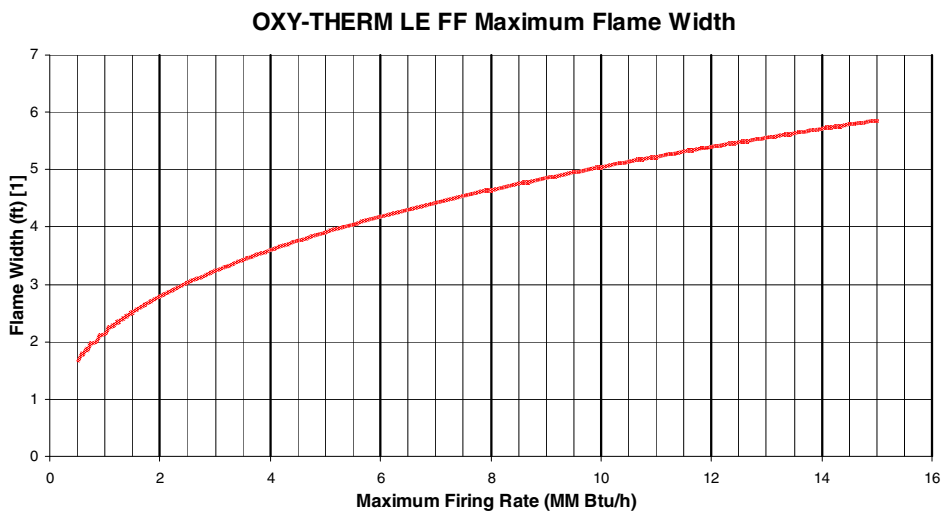


[1] For flows above 21,000 scfh, consult MAXON as higher flows require burner modification to reduce oxygen pressure



Each OXY-THERM LE FF nozzle is drilled per customer's specified maximum firing rate.

Flame dimensions shown represent each nozzle's maximum firing rate. Longer flame lengths are available through adjustment of burner's oxygen staging ratio. Contact MAXON for details.



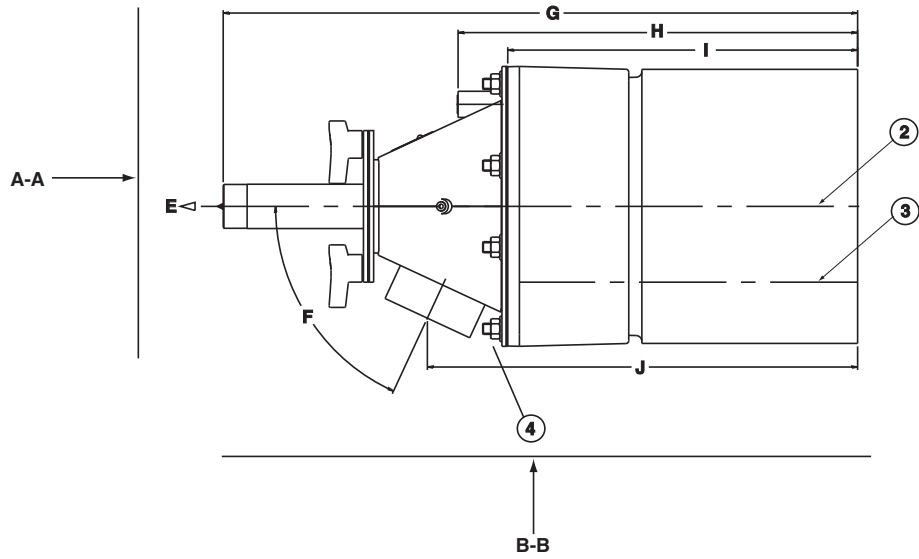
[1] Each OXY-THERM LE FF nozzle is drilled per customer's specified maximum firing rate.

Flame dimensions shown represent each nozzle's maximum firing rate.

Dimensions

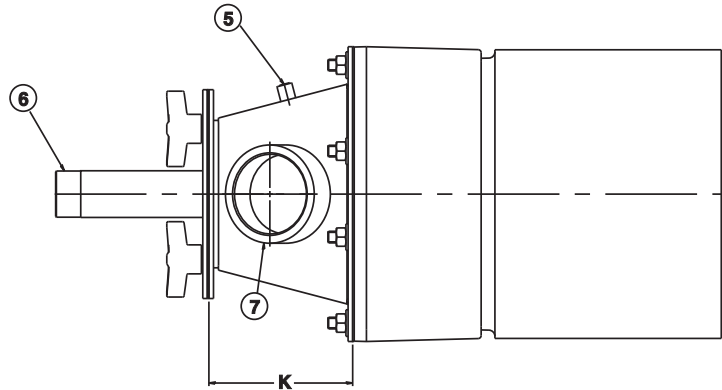
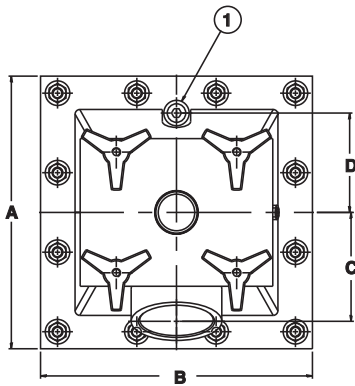
OXY-THERM[®] LE FF Burners

- 1) Pilot connection
1/2" NPT
- 2) Burner centerline
- 3) Staged oxygen ports centerline
- 4) 19mm
- 5) 1/8" NPT oxygen pressure test port
- 6) 1-1/2" NPT gas inlet
- 7) 3" NPT oxygen inlet



View A-A

View B-B

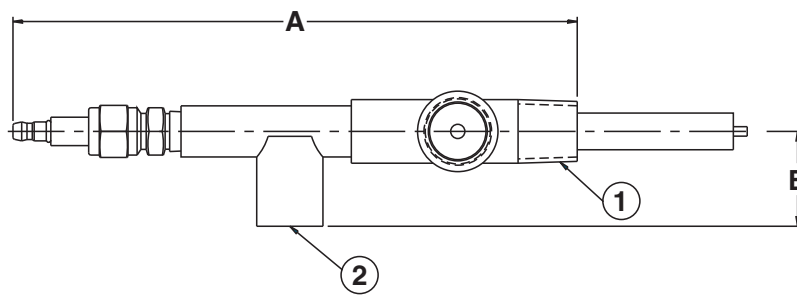


Dimensions in inches unless stated otherwise

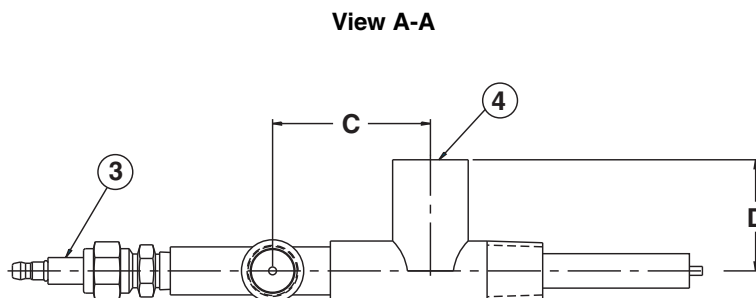
| A | B | C | D | E req'd. for removal | F | G | H | I | J | K |
|------|------|------|-----|----------------------------|-----|------|------|------|------|------|
| 12.0 | 12.0 | 4.75 | 4.5 | 18.0 | 65° | 27.0 | 17.0 | 15.0 | 18.5 | 5.87 |

Optional oxygen pilot

- 1) 1/2" NPT
- 2) 3/8" NPT (fuel inlet)
- 3) Spark ignitor
- 4) 1/2" NPT (oxygen inlet)



View A-A



View A-A

| Dimensions in inches unless stated otherwise | | | |
|--|-----|-----|-----|
| A | B | C | D |
| 7.5 | 1.3 | 2.2 | 1.6 |

Installation and operating instructions for OXY-THERM® LE FF Burners

Application requirements

View port

A view port to observe burner flame is essential to inspect flame aspect. Locate the view port downstream of the flame, looking back to the burner block. Make sure the complete flame can be evaluated.

Support burner air and gas piping

The OXY-THERM® LE FF burner shall not be used as support for the piping to the burner. Gas and air piping shall be supported in such a way that no additional loads will be created on the burner.

Burner mounting flange loads

Check burner weight and reinforce burner mounting flange or combustion chamber/furnace back wall if necessary to accept complete burner weight.

Installation Instructions

Storage of OXY-THERM® LE FF Burners

OXY-THERM® LE FF Burners shall be stored dry (inside). Burner blocks have been cured carefully before shipment and shall be kept dry. Wetting of the blocks could result in premature failures.

Handling of OXY-THERM® LE FF Burners

OXY-THERM® LE FF Burners are shipped as complete units. Handle burners with care, using proper equipment, during unpacking, transport, lifting and installation. Any impact on the burner could result in damage.

Burner mounting

Several methods of mounting and holding an OXY-THERM® LE FF Burner block and frame assembly in place are possible. The burner block sits on the sill or wall. The block must rest flat on the sill or wall without rocking to allow weight to be equally distributed. Failure to do so could result in cracking and block failure. Do not cantilever or suspend burner blocks as this will cause premature failure. If burner port holes are too large, refractory shims of appropriate material may be used to align the burner. The opening of the furnace wall should provide 1/16" clearance on three sides. High temperature furnace sealant or gasketing (by others) should be used between burner mounting flange and furnace wall. For maximum burner life, burner frame must be protected from hot gases.

Burner installation procedure

Read the entire installation procedure before proceeding with the installation of oxygen-fuel burners.



Failure to follow the proper installation sequence noted below could result in damage or destruction of vital burner components. Cooling oxygen or air should be present at all times when the burner housing and metal components are mounted to a hot furnace.



CAUTION: If attempting installation or service on a hot furnace without interruption, hot gases and active combustion processes will be present. Utilize proper precautions to protect personnel from hot furnace gases and radiant heat. Severe burns or death are possible without proper safety precautions.

To prevent damage in transit, the gas nozzles, mounting gaskets and burner housing may be packed separately. **In most cases, the burner will be shipped assembled but with the mounting nuts only finger-tight. In either case, the burner block and frame will need to be disassembled from the rest of the burner to allow installation of the block into the furnace wall.**



NOTE: A 19 mm (or 3/4") socket is required to mount the housing to the block/frame assembly. A manual speed wrench is recommended for quick and easy burner mounting.

1. If gas nozzle is shipped inside burner housing, remove the gas nozzle and set aside in a protected area.
2. Install service plate and gasket on the housing (to prevent hot furnace gases from blowing out of the housing).
3. Mount housing to block/frame studs.
4. Install and snug the mounting nuts and washers.
5. Pre-pipe quick-connect devices to the combustion oxygen and fuel connections on the burner housing and burner gas nozzle.
6. Confirm that cooling air or oxygen is available at the individual burner ports and control stations before installing burner housing.
7. Install housing & block/frame assembly into furnace wall.

Refer to information below for hot installation procedure for burner blocks.

8. Connect the cooling oxygen/air source to the combustion oxygen connection on the burner housing and begin cooling flow.



NOTE: A good source of cooling flow is the flexible block cooling air present at most facilities.

9. Remove service plate from housing.
10. Install the gas nozzle into the housing.
11. Confirm that cooling oxygen or air is flowing.
12. Tighten the wing nuts onto the housing until they bottom out against the gas nozzle.
13. Connect fuel supply to the gas nozzle.
14. Burner installation is complete.
15. Other system safeguards and approvals must be completed before burner can be lit. These safeguards include but are not limited to:
 - furnace operating temperature at the burner location must exceed the ignition temperature of the fuel being used (for burners with no pilot).
 - oxygen/fuel control must be functional and characterized to provide the proper oxygen/fuel ratio to the burner.

Hot installation procedure for AZS (Alumina Zirconia Silica blend) burner blocks

The following procedure has been used to install AZS burner blocks without interrupting operations. Most of the experience has been in float and container glass operations with hot face temperatures between 2600°F and 3050°F.

1. The block should be warmed (>212°F) for up to 4 hours and all moisture removed before starting installation.
2. Where the new block contacts older, hot materials, Fiberfrax paper should be used as a thermal buffer.
3. Remove the old block and clean the opening.
4. Insert the new block into the furnace.
5. Allow the new block to heat up to near ambient temperatures (usually about one half to three quarters of an hour).
6. Resume normal operations.

Start-up instructions

Instructions provided by the company or individual responsible for the manufacture and/or overall installation of a complete system incorporating MAXON burners take precedence over the installation and operating instructions provided by MAXON. If any of the instructions provided by MAXON are in conflict with local codes or regulations, please contact MAXON before initial start-up of equipment.



Read the combustion system manual carefully before initiating the start-up and adjustment procedure. Verify that all of the equipment associated with and necessary to the safe operation of the burner system has been installed correctly, that all pre-commissioning checks have been carried out successfully and that all safety-related aspects of the installation are properly addressed.

Initial adjustment and light-off should be undertaken only by a trained commissioning engineer.

First firing or restart after shut-down

During first start-up of the burner, and after every longer installation shut-down, the temperature rise shall be limited - allow the burner to fire on low fire for some time to allow the parts to heat up slowly.

Checks during and after start-up

During and after start-up, check the integrity of the system. Check all bolted connections after first firing (first time on temperature) and retighten if necessary.

Pilot ignition

Before ignition of the pilot, adjust the oxygen to the minimum flow. Pilot will not ignite if too high an oxygen flow. Set pilot gas flow to the correct value before pilot ignition attempt.

Main burner ignition

Set correct gas flow for burner minimum capacity before attempt of main burner ignition.

After ignition of main burner, allow some time on minimum capacity to allow the burner parts to heat up slowly.

Burner adjustment and control

Oxygen-fuel burners require accurate control of both fuel and oxygen for optimum performance. Piping to individual burners should include control valves for both oxygen and fuel. In addition, flow meters for oxygen and fuel capable of local or remote readout are required for proper burner adjustment.

Maintenance & inspection instructions

Safety requirements

Regular inspection, testing and recalibration of combustion equipment according to the installation manual is an integral part of its safety. Inspection activities and frequencies shall be carried out as specified in the installation manual.

Perform the following activities at least annually as part of a recommended preventative maintenance routine:

- Inspect burner internal parts for wear and oxidation.
- Inspect associated control instruments and devices for function with particular attention to all safety permissive switches.
- Perform leak tests on fuel shut-off valves according to any schedule established by the authority having jurisdiction.

Visual inspections

Regular visual inspection of all connections (oxygen and gas piping to the burner, bolting of the burner to the furnace) and burner flame size and aspect are essential for safe operation.

Spare parts

Keep local stock of spark ignitor if burner is equipped with pilot. It is not recommended to keep local stock of other burner parts. Consult installation manual for burner spare parts and system accessories.

Distributed by:



888.858.3647 | relevantsolutions.com