

NOTE: TERMINAL L1 MUST BE POWERED BEFORE TERMINAL 12

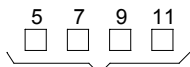
FORM 6642 VBL GROUP M3102

PROTECTOFIER  
TWO BURNER AUTOMATIC  
OR MANUAL OPERATION  
INCLUDES TIMER FOR  
IGNITION TRIAL

SS100A FLAME PAK

ACF {  
C-CHECK RELAY  
F-FLAME RELAY  
L-LOAD RELAY

\*-P.B.FOR MANUAL OPERATION.  
ADD JUMPERS AS INDICATED  
FOR AUTOMATIC OPERATION.

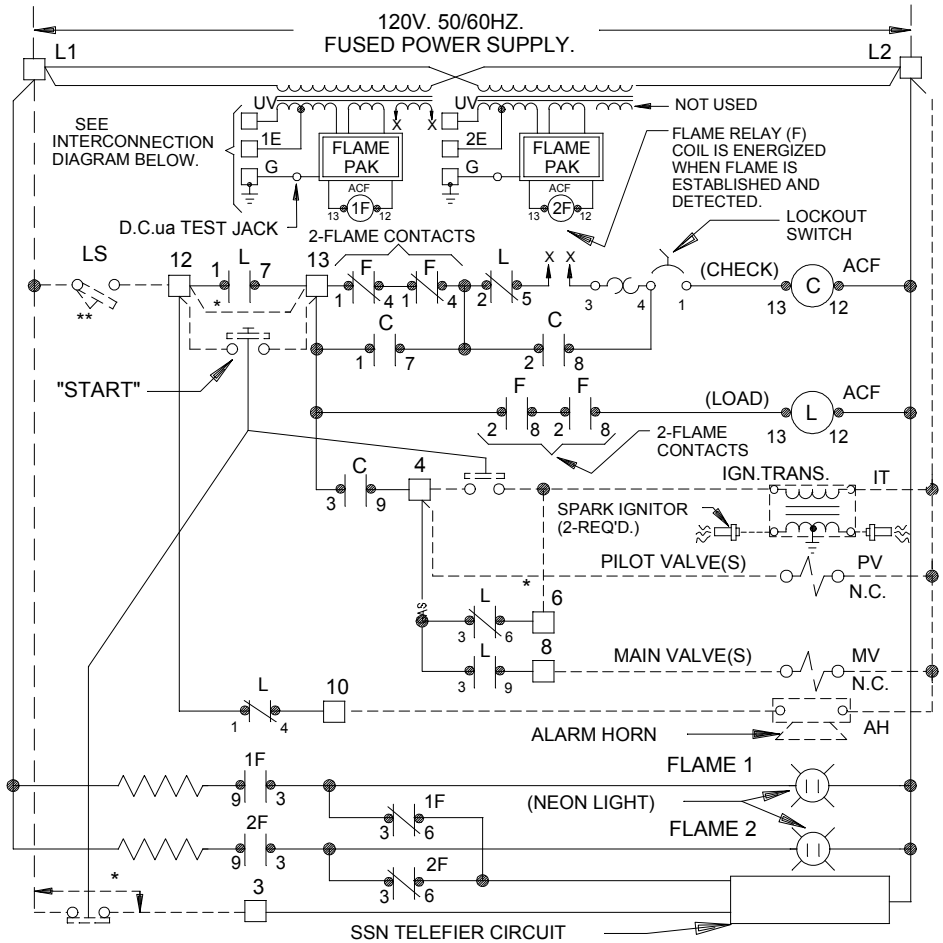


NO CONNECTIONS

INTERNAL WIRING  
EXTERNAL WIRING

\*\* SAFETY INTLK.  
SERIES CIRCUIT.  
FUEL AND AIR  
PRESS. SWS.,  
VENT.FANS,  
ETC.AS REQ'D.)

WIRING DIAGRAM



NOTE:  
TERMINAL L1 MUST  
BE POWERED BEFORE  
TERMINAL 12

TWO BURNER  
PROTECTOFIER

(FORM 6642 VBL  
GROUP M3102)

NOTES:

FLAME WIRE TO BE NO. 14 TYPE TW. 600V.  
INSULATED WIRE OR EQUAL.FLAME WIRE MUST  
NOT BE IN SAME CONDUITS WITH POWER WIRING.

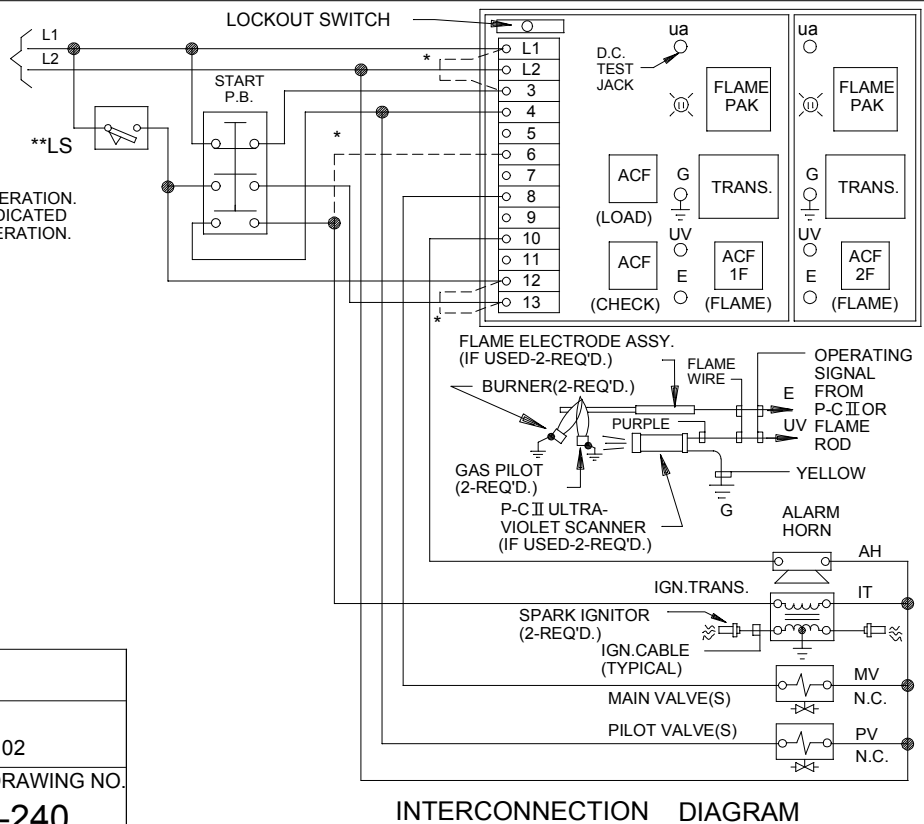
IGNITION CABLE MUST BE RUN IN SEPARATE  
CONDUIT TO SPARK ELECTRODE.  
(DO NOT MIX WITH 120V. WIRING.)

ALL WIRING AND EQUIPMENT EXTERNAL TO  
PROTECTOFIER TO BE FURNISHED BY  
OTHERS UNLESS OTHERWISE SPECIFIED.

INSTALLATION, OPERATION AND MAINTENANCE  
SHALL CONFORM WITH NATIONAL FIRE  
PROTECTION ASSOCIATION STANDARDS,  
NATIONAL AND LOCAL CODES AND  
AUTHORITIES HAVING JURISDICTION.ANY  
MODIFICATION VOIDS APPROVAL.

120V.  
50/60HZ.  
FUSED  
POWER  
SUPPLY.

\*-P.B.FOR MANUAL OPERATION.  
ADD JUMPERS AS INDICATED  
FOR AUTOMATIC OPERATION.



INTERCONNECTION DIAGRAM

PROTECTION CONTROLS, INC.  
SKOKIE ILLINOIS

WIRING DIAGRAM FOR:  
PROTECTOFIER FORM 6642VBL GROUP M3102

JOB NO.

REVISED  
4-03

DRAWING NO.  
X-240