

NOTE: TERMINAL L1 MUST BE POWERED BEFORE TERMINAL 12

PROTECTOFIER
AUTO. OPERATION

SS100A FLAME PAK

ACF { L - LOAD RELAY
C - CHECK RELAY
F - FLAME RELAY

CTP-U300A AUTOMATIC TIMOFIER

Δ FLAME RELAY (F) CONTACTS 1 SET REQ'D. FOR EACH FLAME POSITION.

** - SAFETY INTLK. SERIES CIRCUIT. FUEL AND AIR PRESS. SWS., VENT, FANS, ETC. AS REQ'D.

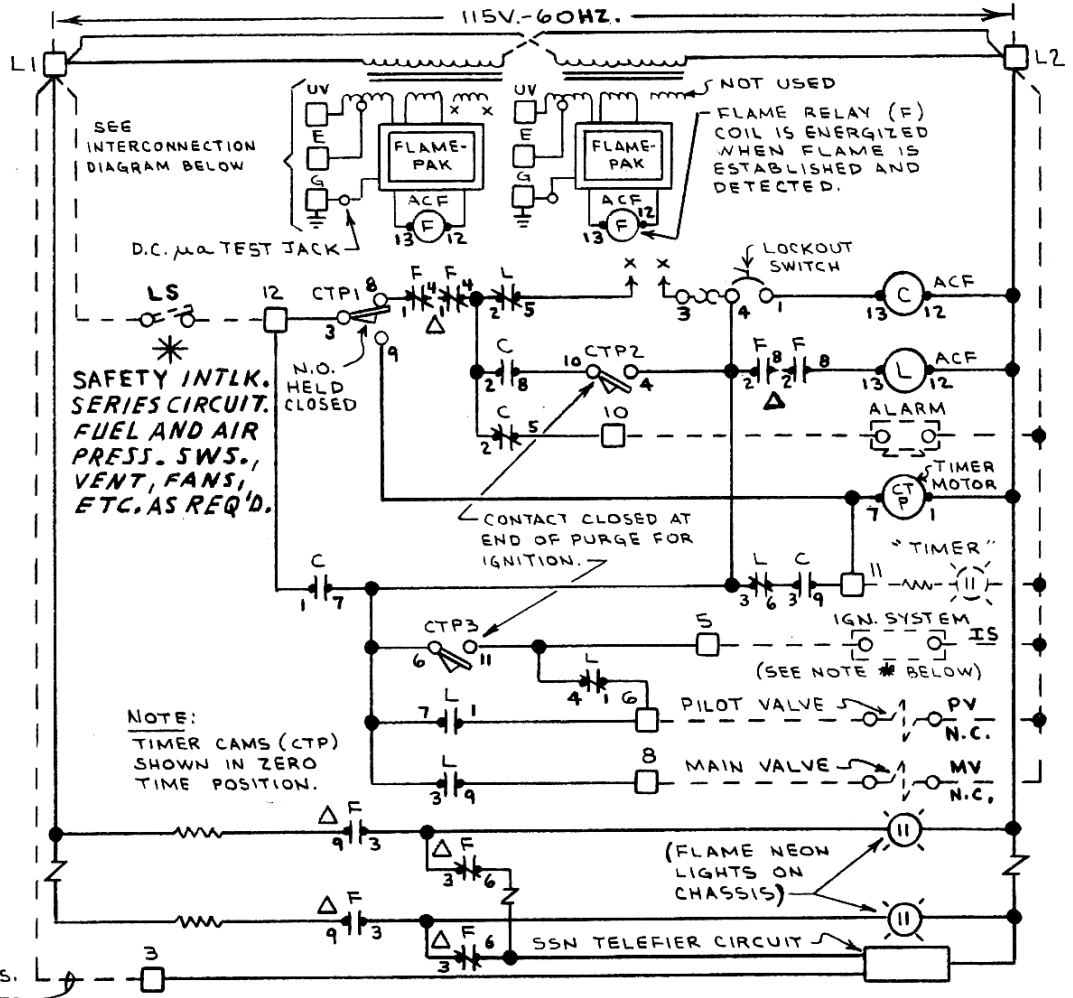
□ INTERNAL WIRING
--- EXTERNAL WIRING



NOTE: TIMER CAMS (CTP) SHOWN IN ZERO TIME POSITION. CTP2 AND CTP3 CLOSE AT END OF PURGE FOR IGNITION.

WIRING DIAGRAM

ADD JUMPER BETWEEN TERMS. L1 & 3 FOR FLAME FAILURE INDICATION.



SEE INTERCONNECTION DIAGRAM BELOW

SAFETY INTLK. SERIES CIRCUIT. FUEL AND AIR PRESS. SWS., VENT, FANS, ETC. AS REQ'D.

NOTE: TIMER CAMS (CTP) SHOWN IN ZERO TIME POSITION.

NOT USED
FLAME RELAY (F) COIL IS ENERGIZED WHEN FLAME IS ESTABLISHED AND DETECTED.

INSTALLATION, OPERATION AND MAINTENANCE SHALL CONFORM WITH NATIONAL FIRE PROTECTION ASSOCIATION STANDARDS, NATIONAL AND LOCAL CODES, AND AUTHORITIES HAVING JURISDICTION.

FLAME WIRE TO BE NO. 14 TYPE TW. 600V. INSULATED WIRE OR EQUAL. FLAME WIRE **MUST NOT BE IN SAME CONDUITS WITH POWER WIRING.**

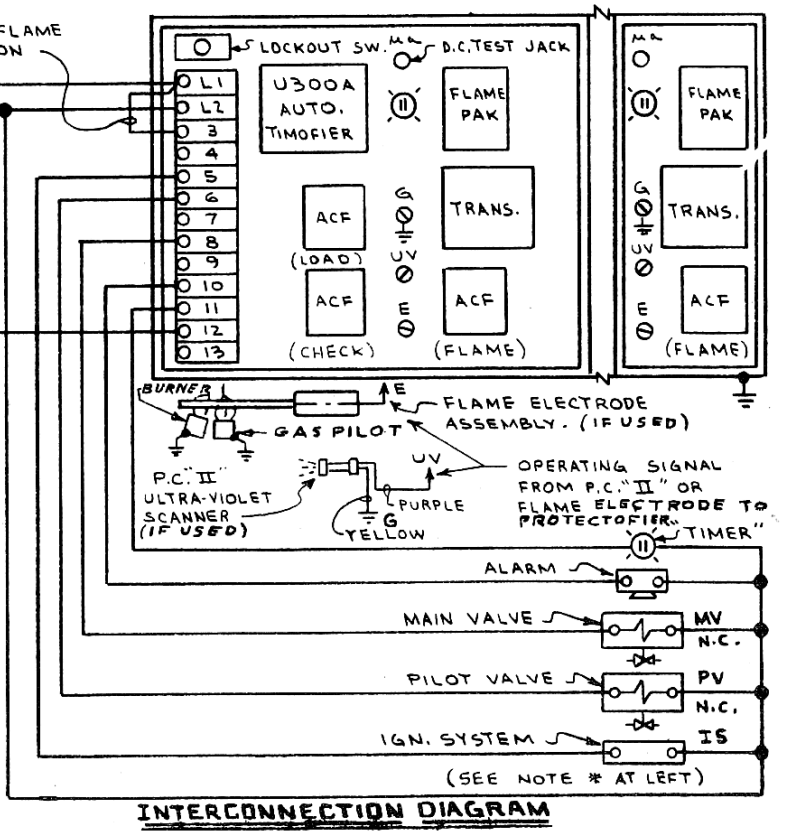
NOTE *:
IF IGNITION SYSTEM LOAD EXCEEDS 500VA AN AUXILIARY RELAY MUST BE USED TO ISOLATE THE IGNITION LOAD FROM THE PROTECTOFIER RELAY CONTACTS.

ADD JUMPER FOR FLAME FAILURE INDICATION

NOTE: TERMINAL L1 MUST BE POWERED BEFORE TERMINAL 12

U300A AUTOMATIC TIMOFIER TIMING		
RANGE	PURGE (MIN.)	IGN. (SEC.)
A-		

PROTECTION CONTROLS, INC.			
SKOKIE,		ILLINOIS	
WIRING DIAGRAM FOR: PROTECTOFIER FORM 6642 VBLT GROUP M			
JOB NO.	DRWN. BY	DATE	DRAWING NO.
	P. E. O.	8-3-71	X-336



INTERCONNECTION DIAGRAM