

NOTE: TERMINAL L1 MUST BE POWERED BEFORE TERMINAL 12

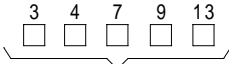
FORM 6642 VBT GROUP M3101

PROTECTOFIER SINGLE BURNER, AUTOMATIC OPERATION, INCLUDES TIMER FOR PURGE AND IGNITION TRIAL.

SS100A FLAME PAK

ACF { C-CHECK RELAY  
F-FLAME RELAY

CTP-U300A AUTOMATIC TIMOFIER



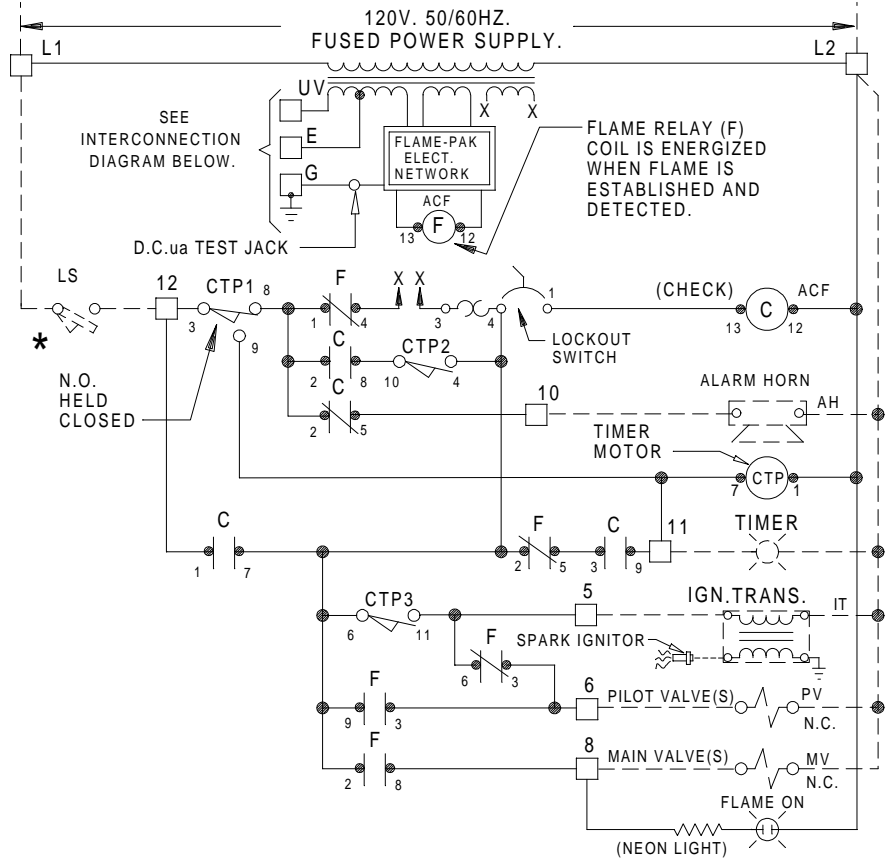
NO CONNECTIONS

NOTE: TIMER CAMS (CTP) SHOWN IN ZERO TIME POSITION. CTP2 AND CTP3 CLOSE AT END OF PURGE FOR IGNITION.

\* - SAFETY INTLK. SERIES CIRCUIT. FUEL AND AIR PRESS. SWS., VENT. FANS, ETC. AS REQ'D.

INTERNAL WIRING  
EXTERNAL WIRING

WIRING DIAGRAM



NOTE: TERMINAL L1 MUST BE POWERED BEFORE TERMINAL 12

SINGLE BURNER PROTECTOFIER

(FORM 6642 VBT GROUP M3101)

NOTES:

FLAME WIRE TO BE NO. 14 TYPE TW. 600V. INSULATED WIRE OR EQUAL. FLAME WIRE MUST NOT BE IN SAME CONDUITS WITH POWER WIRING.

IGNITION CABLE MUST BE RUN IN SEPARATE CONDUIT TO SPARK ELECTRODE. (DO NOT MIX WITH 115V. WIRING.)

ALL WIRING AND EQUIPMENT EXTERNAL TO PROTECTOFIER TO BE FURNISHED BY OTHERS UNLESS OTHERWISE SPECIFIED.

INSTALLATION, OPERATION AND MAINTENANCE SHALL CONFORM WITH NATIONAL FIRE PROTECTION ASSOCIATION STANDARDS, NATIONAL AND LOCAL CODES AND AUTHORITIES HAVING JURISDICTION. ANY MODIFICATION voids APPROVAL.

120V. 50/60HZ. FUSED POWER SUPPLY

\* LS

LOCKOUT SWITCH

INTERCONNECTION DIAGRAM

U300A AUTOMATIC TIMOFIER TIMING		
RANGE	PURGE(MIN.)	IGN.(SEC.)
A	MIN.	SEC.

PROTECTION CONTROLS, INC.  
SKOKIE, ILLINOIS

WIRING DIAGRAM FOR:  
PROTECTOFIER FORM 6642VBT GROUP M3101

JOB NO.	REVISED	DRAWING NO.
	10-03	X-244

