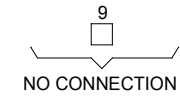


**FORM 7256AH**

**PROTECTOFIER  
SINGLE BURNER  
MANUAL OPERATION**

**SS100A FLAME PAK**

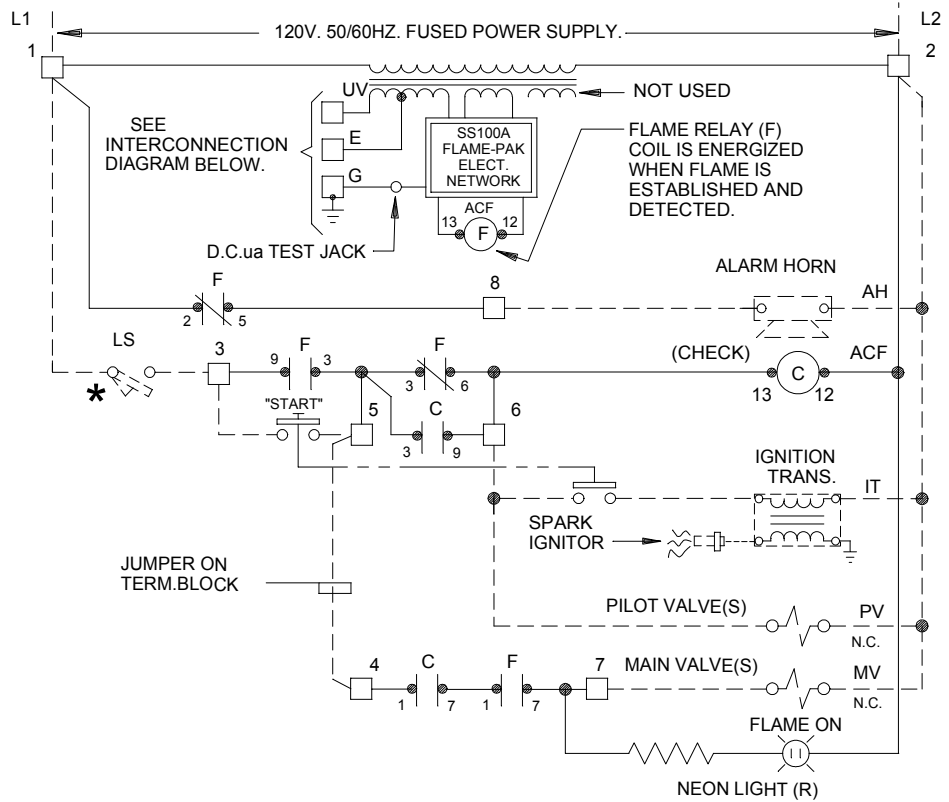
ACF { C-CHECK RELAY  
F-FLAME RELAY



INTERNAL WIRING  
EXTERNAL WIRING

\* - SAFETY INTLK. SERIES CIRCUIT.  
FUEL AND AIR PRESS. SWS.,  
VENT, FANS, ETC. AS REQ'D.

**WIRING DIAGRAM**



**NOTES:**

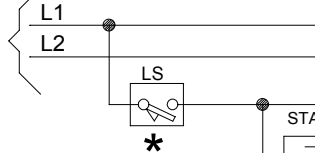
FLAME WIRE TO BE NO. 14 TYPE TW. 600V.  
INSULATED WIRE OR EQUAL. FLAME WIRE MUST  
NOT BE IN SAME CONDUITS WITH POWER WIRING.

IGNITION CABLE MUST BE RUN IN SEPARATE  
CONDUIT TO SPARK ELECTRODE.  
(DO NOT MIX WITH 120V. WIRING.)

ALL WIRING AND EQUIPMENT EXTERNAL TO  
PROTECTOFIER TO BE FURNISHED BY  
OTHERS UNLESS OTHERWISE SPECIFIED.

INSTALLATION, OPERATION AND MAINTENANCE  
SHALL CONFORM WITH NATIONAL FIRE PROTECTION  
ASSOCIATION STANDARDS, NATIONAL AND LOCAL  
CODES AND AUTHORITIES HAVING JURISDICTION.  
ANY MODIFICATION VOIDS APPROVAL.

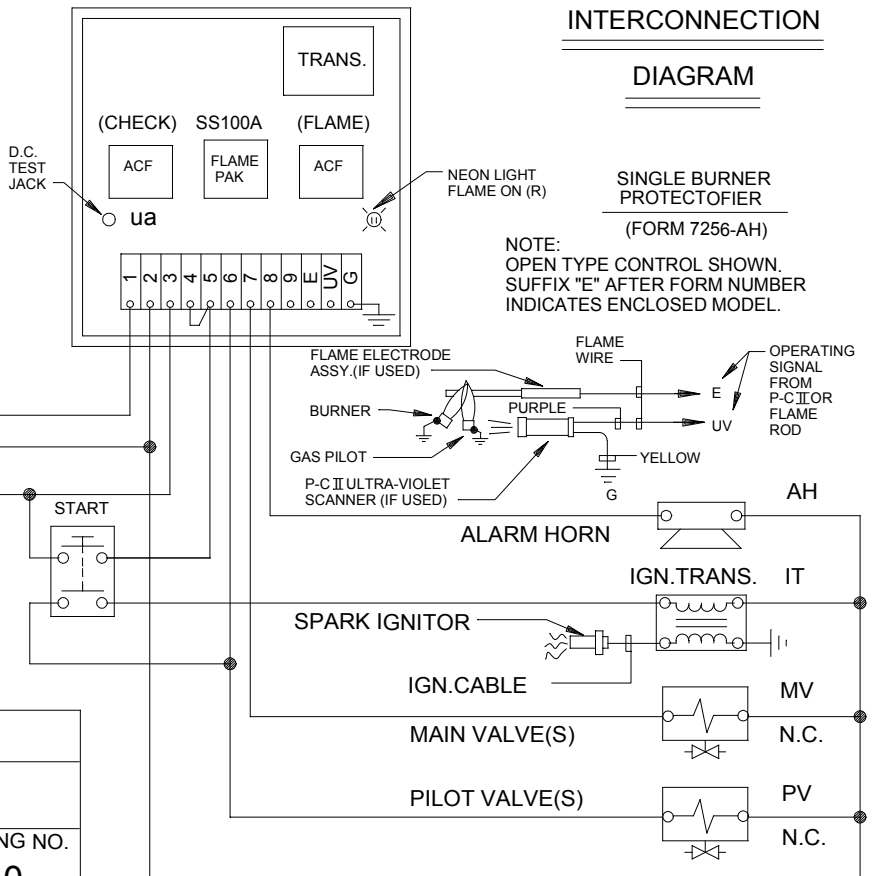
120V. 50/60HZ.  
FUSED  
POWER SUPPLY.



**INTERCONNECTION  
DIAGRAM**

**SINGLE BURNER  
PROTECTOFIER  
(FORM 7256-AH)**

NOTE:  
OPEN TYPE CONTROL SHOWN.  
SUFFIX "E" AFTER FORM NUMBER  
INDICATES ENCLOSED MODEL.



PROTECTION CONTROLS, INC.  
SKOKIE, ILLINOIS

WIRING DIAGRAM FOR:  
PROTECTOFIER FORM 7256-AH

|         |         |             |
|---------|---------|-------------|
| JOB NO. | REVISED | DRAWING NO. |
|         | 6-04    | X-340       |