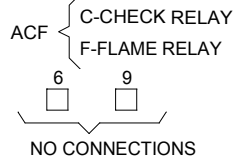


FORM 7256BH

PROTECTOFIER
SINGLE BURNER,AUTO/MANUAL
OPERATION,INCLUDES IGNITION
TRIAL TIMER.

SS100A FLAME PAK



INTERNAL WIRING
EXTERNAL WIRING

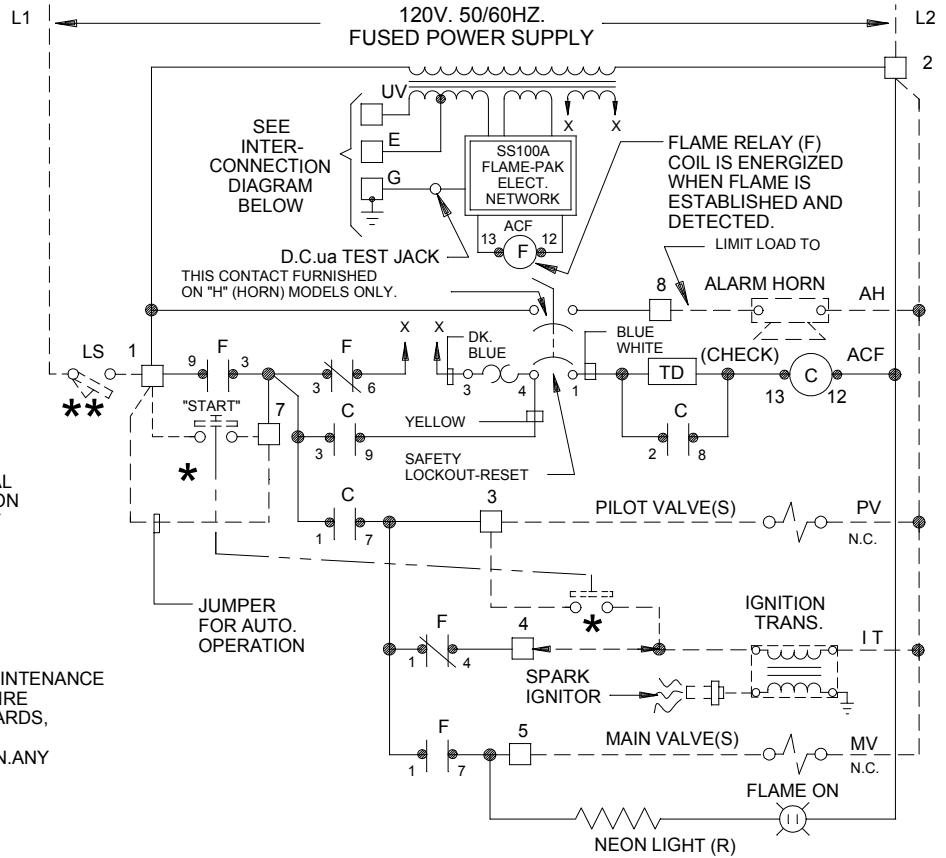
* - PUSHBUTTON SHOWN FOR MANUAL START. FOR AUTOMATIC OPERATION OMIT PUSHBUTTON AND CONNECT JUMPERS AS INDICATED.

** - SAFETY INTLK. SERIES CIRCUIT. FUEL AND AIR PRESS.SWS., VENT, FANS, ETC. AS REQ'D.

NOTES:

INSTALLATION, OPERATION AND MAINTENANCE SHALL CONFORM WITH NATIONAL FIRE PROTECTION ASSOCIATION STANDARDS, NATIONAL AND LOCAL CODES AND AUTHORITIES HAVING JURISDICTION.ANY MODIFICATION VOIDS APPROVAL.

WIRING DIAGRAM



NOTES:

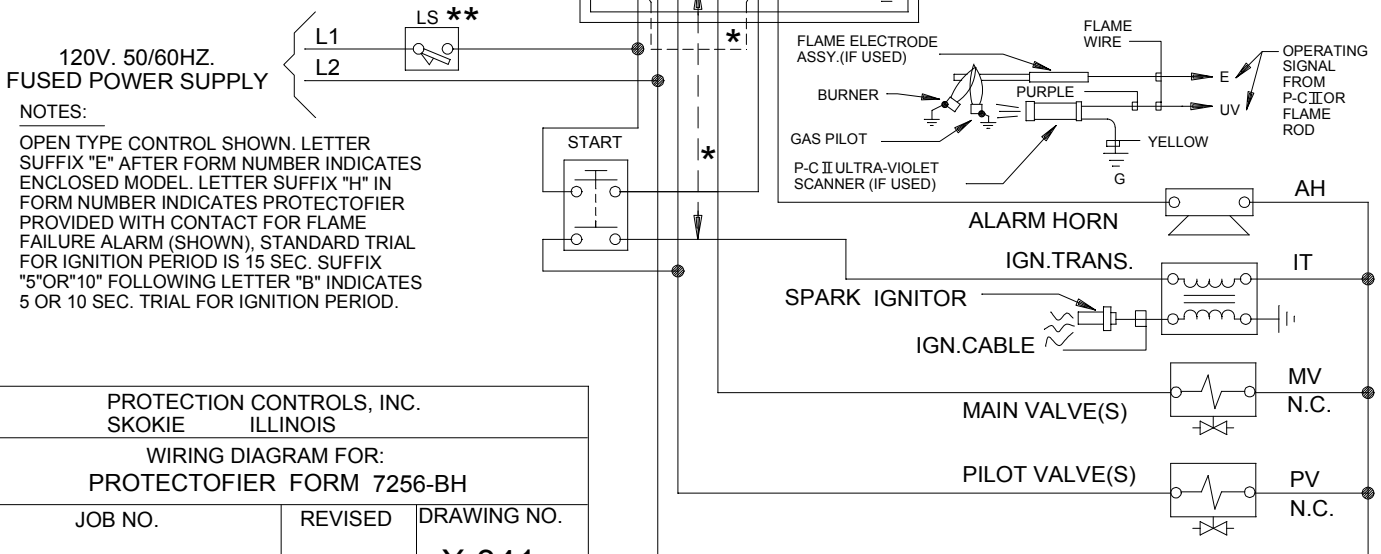
FLAME WIRE TO BE NO. 14 TYPE TW. 600V. INSULATED WIRE OR EQUAL FLAME WIRE MUST NOT BE IN SAME CONDUITS WITH POWER WIRING.

IGNITION CABLE MUST BE RUN IN SEPARATE CONDUIT TO SPARK ELECTRODE. (DO NOT MIX WITH 120V.WIRING.)

ALL WIRING AND EQUIPMENT EXTERNAL TO PROTECTOFIER TO BE FURNISHED BY OTHERS UNLESS OTHERWISE SPECIFIED.

**INTERCONNECTION
DIAGRAM**

SINGLE BURNER
PROTECTOFIER
(FORM 7256-BH)



PROTECTION CONTROLS, INC.
SKOKIE ILLINOIS

WIRING DIAGRAM FOR:
PROTECTOFIER FORM 7256-BH

JOB NO.	REVISED	DRAWING NO.
	6-04	X-341