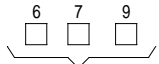


FORM 7256BNRH

PROTECTOFIER
SINGLE BURNER, AUTOMATIC
OPERATION, INCLUDES TIMER
FOR IGNITION TRIAL,
NON-RELIGHT.

SS100A FLAME PAK

ACF {
C - CHECK RELAY
F - FLAME RELAY
NR - NON-RECYCLE RELAY

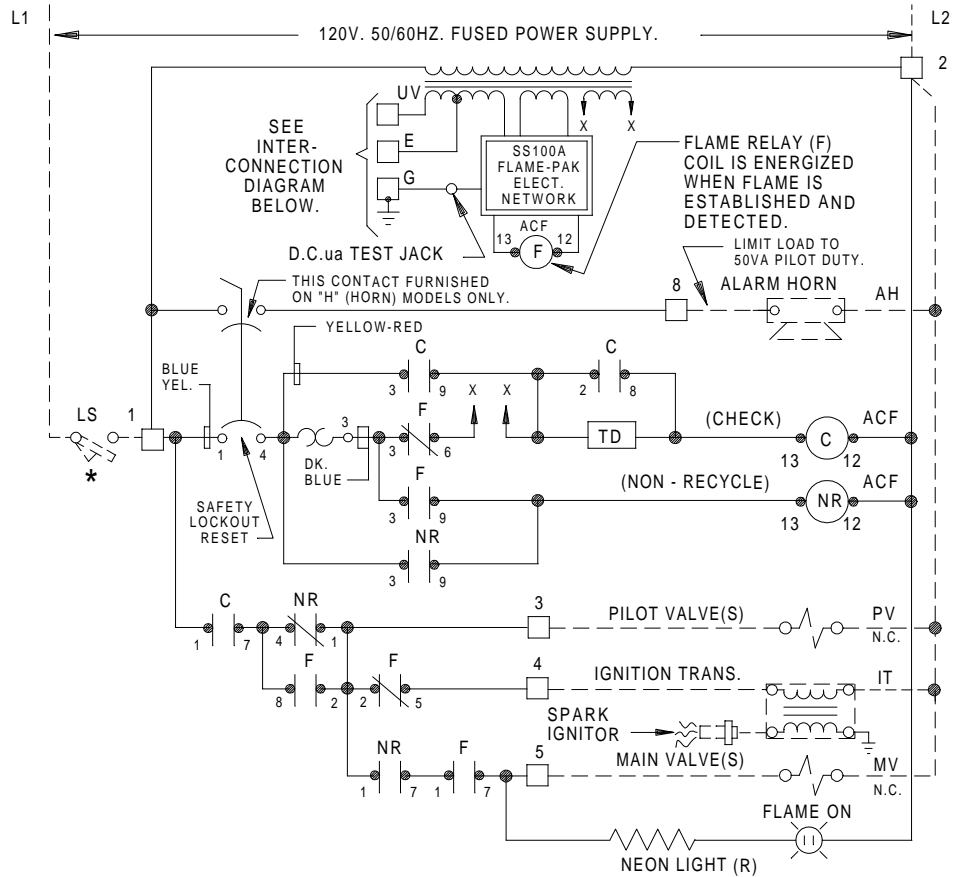


NO CONNECTIONS

INTERNAL WIRING
EXTERNAL WIRING

* - SAFETY INTLK.SERIES CIRCUIT.
FUEL AND AIR PRESS.SWS.,
VENT.FANS,ETC.AS REQ'D.

WIRING DIAGRAM



NOTES:

FLAME WIRE TO BE NO. 14 TYPE TW. 600V.
INSULATED WIRE OR EQUAL.FLAME WIRE MUST
NOT BE IN SAME CONDUITS WITH POWER WIRING.

IGNITION CABLE MUST BE RUN IN SEPARATE
CONDUIT TO SPARK ELECTRODE.
(DO NOT MIX WITH 120V.WIRING.)

INSTALLATION, OPERATION AND MAINTENANCE
SHALL CONFORM WITH NATIONAL FIRE
PROTECTION ASSOCIATION STANDARDS,
NATIONAL AND LOCAL CODES AND
AUTHORITIES HAVING JURISDICTION.ANY
MODIFICATION VOIDS APPROVAL.

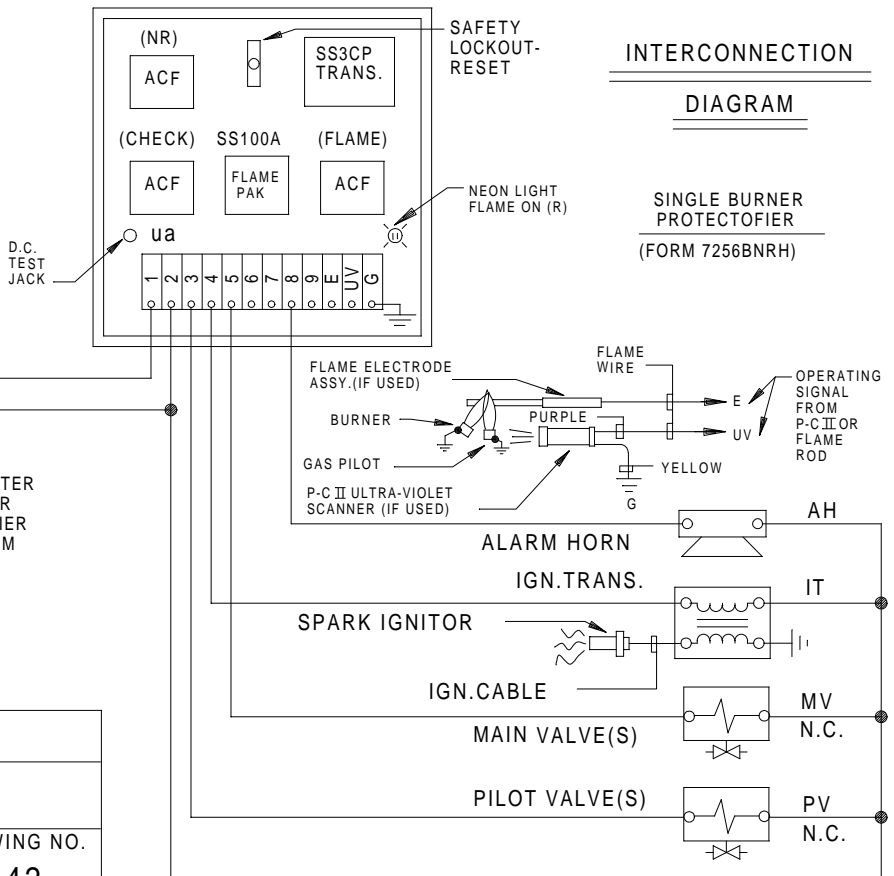
120V. 50/60HZ.
FUSED
POWER SUPPLY

NOTES:

OPEN TYPE CONTROL SHOWN. LETTER SUFFIX "E" AFTER
FORM NUMBER INDICATES ENCLOSED MODEL. LETTER
SUFFIX "H" IN FORM NUMBER INDICATES PROTECTOFIER
PROVIDED WITH CONTACT FOR FLAME FAILURE ALARM
(SHOWN).STANDARD TRIAL FOR IGNITION PERIOD IS
15 SEC. SUFFIX "5"OR"10" FOLLOWING LETTER "B"
INDICATES 5 OR 10 SEC. TRIAL FOR IGNITION PERIOD.

INTERCONNECTION
DIAGRAM

SINGLE BURNER
PROTECTOFIER
(FORM 7256BNRH)



PROTECTION CONTROLS, INC.
SKOKIE ILLINOIS

WIRING DIAGRAM FOR:
PROTECTOFIER FORM 7256 BNRH

JOB NO.

REVISED

DRAWING NO.

6-04

X-342