

SmartLine Temperature **Honeywell**



SmartLine
Configuration
Pocket Guide

Storage Locations

Advanced Display Parameters	Stored Location	Type
LCD Contrast	Comm Module	Read/ Write
Set Password	Comm Module	Read/ Write
Language	Comm Module	Read/ Write
Rotation Time	Comm Module	Read/ Write
Screen Rotate	Comm Module	Read/ Write
Screen Format	Comm Module	Read/ Write
Trend Hours	Comm Module	Read/ Write
PV Selection	Comm Module	Read/ Write
Display Units	Comm Module	Read/ Write
Custom Units	Comm Module	Read/ Write
Temperature Units	Comm Module	Read/ Write
Decimals	Comm Module	Read/ Write
Disp Low Lim	Comm Module	Read/ Write
Disp High Lim	Comm Module	Read/ Write
Custom Tag	Comm Module	Read/ Write
Display Firmware Rev	Display	Read Only

Basic Graphic Display Menu

Menu Selection	Visible	Locally Writable
LCD Contrast	Always	Yes
Rotation Time	Always	Yes
Screen Rotation	Always	Yes
Select Screen	Always	Yes
Screen x	Always	HART/DE
Screen x PV	Always	HART/DE
Screen x Decimal	Always	HART/DE
Screen x Units	Always	HART/DE
Range/Cal Units	Always	Yes
Select Input	DS* Only	Yes
Sensor n Type	Always	HART/DE
Sensor n ID	Always	HART/DE
RTD n Type	Always	HART/DE
RTD n Lead Wire	Always	HART/DE
Sensor n Bias	Always	HART/DE
Sens n Cal Lo Pt	HART/DE	Yes
Sens n Cal Hi Pt	HART/DE	Yes
Do Sens n Cal Lo	HART/DE	Yes
Do Sens n Cal Hi	HART/DE	Yes
Reset Sens n Cal	HART/DE	Yes
Match PVs	HART/DE DS* Only	Yes
Break Detect	Always	HART/DE
Latching	Always	HART/DE
CJ Type	Always	HART/DE
Fixed CJ Value	Always	HART/DE
Delta Limit	Always	HART/DE
Excess Delta	Always	HART/DE
Loop Contrl Mode	HART/DE DS* Only	Yes
Loop Source	HART/DE DS* Only	Yes
LRV	Always	HART/DE
URV	Always	HART/DE
Set LRV	HART/DE	Yes
Set URV	HART/DE	Yes
MRV	DS Only	HART/DE
Hysteresis	HART/DE DS* Only	Yes
Bumpless Damping	HART/DE DS* Only	Yes
Damping	Always	HART/DE
NAMUR Output	HART/DE	Yes
DAC Zero Trim	HART/DE	Yes
DAC Span Trim	HART/DE	Yes
Loop Test	HART/DE	Yes
Tag ID	HART/DE	Yes
HART Device ID	HART	Yes
HART PV Units	HART	Yes
HART SV Units	HART	Yes
Install Date	HART/FF	HART Only
Firmware	Always	No
Protocol	Always	No
Model Key	Always	No
Exit Menu	Always	N/A

*Dual Sensor Inputs

Storage Locations

Basic Display Parameters	Stored Location	Type
LCD Contrast	Comm Module	Read/ Write
Rotation Time	Comm Module	Read/ Write
Screen Rotate	Comm Module	Read/ Write
Screen Format	Comm Module	Read/ Write
PV Selection	Comm Module	Read/ Write
Display Units	Comm Module	Read/ Write
Decimals	Comm Module	Read/ Write
Display Firmware Rev	Display	Read Only
Temperature Units	Comm Module	Read/ Write
Sensor Module Parameters	Stored Location	Type
Sensor 1 Type	Sensor Board	Read/ Write
Sensor 1 ID	Sensor Board	Read/ Write
Sensor 2 Type	Sensor Board	Read/ Write
Sensor 2 ID	Sensor Board	Read/ Write
RTD 1 Type	Sensor Board	Read/ Write
RTD 1 Lead Wire Resistance	Sensor Board	Read/ Write
Sensor 1 Bias	Sensor Board	Read/ Write
RTD 2 Type	Sensor Board	Read/ Write
RTD 2 Lead Wire Resistance	Sensor Board	Read/ Write
Sensor 2 Bias	Sensor Board	Read/ Write
Break Detect	Sensor Board	Read/ Write
Match PVs	Sensor Board	Read/ Write
Latching	Sensor Board	Read/ Write
CJ Compensation Source	Sensor Board	Read/ Write
Fixed CJ Value	Sensor Board	Read/ Write
S1 Cal Lo Pt	Sensor Board	Read/ Write
S1 Cal Hi Pt	Sensor Board	Read/ Write
S2 Cal Lo Pt	Sensor Board	Read/ Write
S2 Cal Hi Pt	Sensor Board	Read/ Write
Set Time Stamp	Sensor Board	Read/ Write
Device Install Date	Sensor Board	One Time Write
Sensor 1 Install Date	Sensor Board	Read/ Write
Sensor 2 Install Date	Sensor Board	Read/ Write
S1 Cal Lo Corr	Sensor Board	Read/ Write
S1 Cal Hi Corr	Sensor Board	Read/ Write
S2 Cal Lo Corr	Sensor Board	Read/ Write
S2 Cal Hi Corr	Sensor Board	Read/ Write
S1 Reset Corr	Sensor Board	Read/ Write
S2 Reset Corr	Sensor Board	Read/ Write
Sensor Firmware Version	Sensor Board	Read Only
Model Key	Sensor Board	Read Only
Units(LRL/URL)	Comm Module	Read Only
LRL 1	Sensor Board	Read Only
URL 1	Sensor Board	Read Only
LRL 2	Sensor Board	Read Only
URL 2	Sensor Board	Read Only
Communication Module Parameters	Stored Location	Type
Tag ID	Comm Module	Read/ Write
Damping (sec)	Comm Module	Read/ Write
Loop Ctrl Mode	Comm Module	Read/ Write
Loop Ctrl Src	Comm Module	Read Only
Excess Delta	Comm Module	Read/ Write
Delta Limit	Comm Module	Read/ Write
Bumpless Damping	Comm Module	Read/ Write
Hysteresis	Comm Module	Read/ Write
Device ID	Comm Module	Read Only
Universal Rev	Comm Module	Read Only
Field Dev Rev	Comm Module	Read Only
Final Assy Num	Comm Module	Read/ Write
Loop mA	Comm Module	Read/ Write
Poll Address	Comm Module	Read/ Write
PV Units	Comm Module	Read/ Write
SV Units	Comm Module	Read/ Write
HART Date	Comm Module	Read/ Write
LRV	Comm Module	Read/ Write
URV	Comm Module	Read/ Write
MRV	Comm Module	Read/ Write
DAC Zero Trim	Comm Module	Read/ Write
DAC Span Trim	Comm Module	Read/ Write
Loop Test	Comm Module	Read/ Write
Comm Module Firmware	Comm Module	Read Only
Comm Module Software Rev	Comm Module	Read Only
Protocol	Comm Module	Read Only

Storage Locations

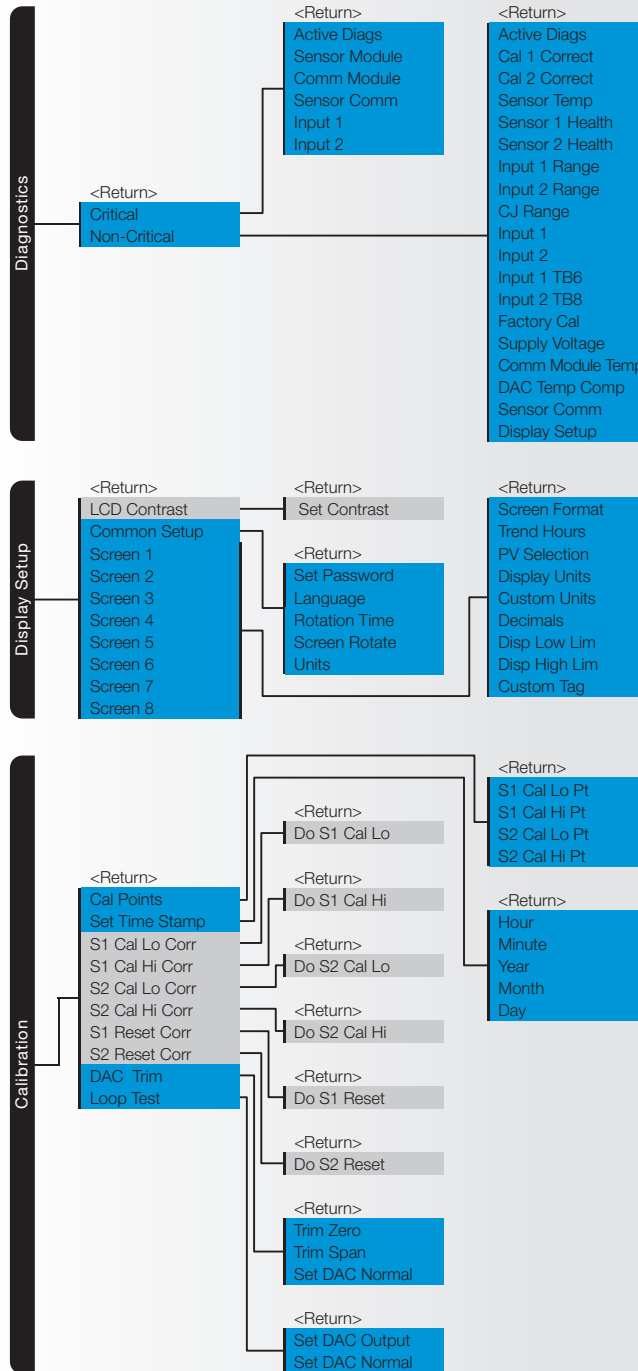
Advanced Display Parameters	Stored Location	Type
LCD Contrast	Comm Module	Read/ Write
Set Password	Comm Module	Read/ Write
Language	Comm Module	Read/ Write
Rotation Time	Comm Module	Read/ Write
Screen Rotate	Comm Module	Read/ Write
Screen Format	Comm Module	Read/ Write
Trend Hours	Comm Module	Read/ Write
PV Selection	Comm Module	Read/ Write
Display Units	Comm Module	Read/ Write
Custom Units	Comm Module	Read/ Write
Temperature Units	Comm Module	Read/ Write
Decimals	Comm Module	Read/ Write
Disp Low Lim	Comm Module	Read/ Write
Disp High Lim	Comm Module	Read/ Write
Custom Tag	Comm Module	Read/ Write
Display Firmware Rev	Display	Read Only

Basic Graphic Display Menu

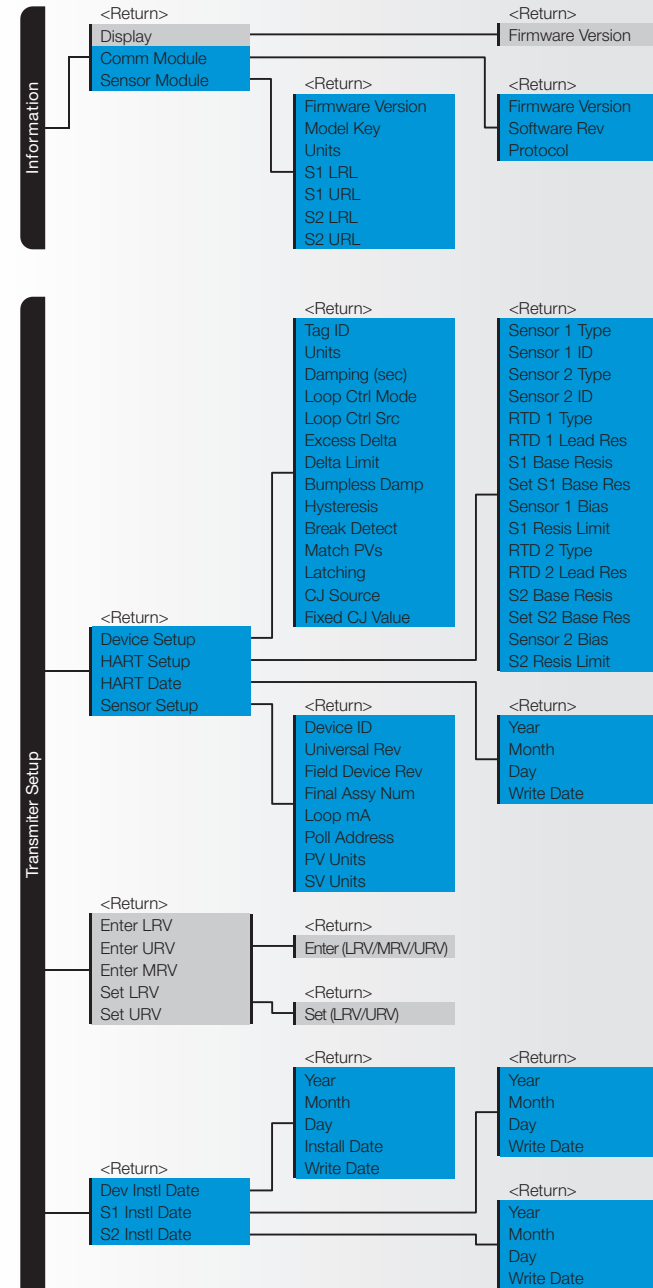
Menu Selection	Visible	Locally Writable
LCD Contrast	Always	Yes
Rotation Time	Always	Yes
Screen Rotation	Always	Yes
Select Screen	Always	Yes
Screen x	Always	HART/DE
Screen x PV	Always	HART/DE
Screen x Decimal	Always	HART/DE
Screen x Units	Always	HART/DE
Range/Cal Units	Always	Yes
Select Input	DS* Only	Yes
Sensor n Type	Always	HART/DE
Sensor n ID	Always	HART/DE
RTD n Type	Always	HART/DE
RTD n Lead Wire	Always	HART/DE
Sensor n Bias	Always	HART/DE
Sens n Cal Lo Pt	HART/DE	Yes
Sens n Cal Hi Pt	HART/DE	Yes
Do Sens n Cal Lo	HART/DE	Yes
Do Sens n Cal Hi	HART/DE	Yes
Reset Sens n Cal	HART/DE	Yes
Match PVs	HART/DE DS* Only	Yes
Break Detect	Always	HART/DE
Latching	Always	HART/DE
CJ Type	Always	HART/DE
Fixed CJ Value	Always	HART/DE
Delta Limit	Always	HART/DE
Excess Delta	Always	HART/DE
Loop Contrl Mode	HART/DE DS* Only	Yes
Loop Source	HART/DE DS* Only	Yes
LRV	Always	HART/DE
URV	Always	HART/DE
Set LRV	HART/DE	Yes
Set URV	HART/DE	Yes
MRV	DS Only	HART/DE
Hysteresis	HART/DE DS* Only	Yes
Bumpless Damping	HART/DE DS* Only	Yes
Damping	Always	HART/DE
NAMUR Output	HART/DE	Yes
DAC Zero Trim	HART/DE	Yes
DAC Span Trim	HART/DE	Yes
Loop Test	HART/DE	Yes
Tag ID	HART/DE	Yes
HART Device ID	HART	Yes
HART PV Units	HART	Yes
HART SV Units	HART	Yes
Install Date	HART/FF	HART Only
Firmware	Always	No
Protocol	Always	No
Model Key	Always	No
Exit Menu	Always	N/A

*Dual Sensor Inputs

Advanced Graphic Display Menu



Advanced Graphic Display Menu



Basic Display Menu

1 Damping

Advanced Graphic Display Menu

Main Menu
<Exit>
Diagnostics
Display Setup
Calibration

Configuration Keypad



step up

Z
↑

step down



enter

S
→

Honeywell Process Solutions

Honeywell

512 Virginia Drive
Fort Washington, PA 19034 USA

www.honeywellprocess.com

34-TT-00-01

March 2014 ©2014 Honeywell International Inc.