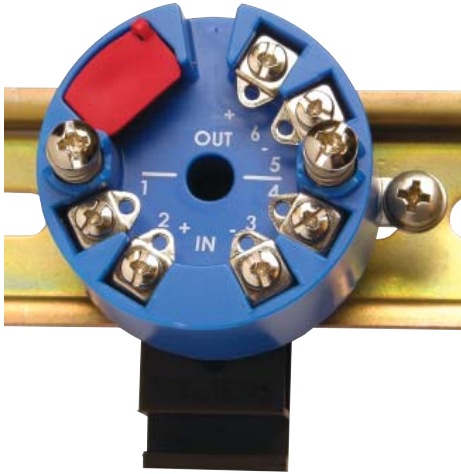


Transmitters: ST130 Series

Mounting Accessories Enclosures, adapters, mounting kits



4001-115K Aluminum Explosion-Proof, NEMA-4 rated



4001-116K Stainless Steel Explosion-Proof, NEMA-4X rated



4001-117K Aluminum General-Purpose, NEMA-4X rated



4001-119K Cast Iron General-Purpose, NEMA-4X rated

Simplifies mounting of ST130 Series transmitters ♦ Ideal for mounting in the field or in a control room

Description

For your convenience, Acromag offers a variety of head-mount enclosures and other mounting accessories to simplify your system installation.

Ordering Information

NOTE: For more information visit www.acromag.com.

Mounting Accessories

ST130-MTG

Replacement mounting Kit – Includes two (2) M4 mounting screws, (2) 6-32 mounting screws, and (2) two relief springs for mounting an ST130 transmitter in a DIN Form B connection head.

4001-115K

Explosion-Proof Aluminum Connection Head – FM/FMC, Class I, Division 1, Groups A, B, C, D, T6; Class II, III, Division 1, Groups E, F, G, T6; NEMA 4 rated. Includes M4 mounting screws and springs.

4001-116K

Explosion-Proof Stainless Steel Connection Head – FM/FMC, Class I, Division 1, Groups A, B, C, D, T6; Class II, Division 1, Groups E, F, G, T6; Class III, NEMA 4X rated. Includes M4 mtg screws and springs.

4001-117K

General-Purpose Aluminum Connection Head – NEMA 4X and IP68 rated. Includes M4 mounting screws and springs.

4001-119K

General-Purpose Cast Iron Connection Head – NEMA 4X rated. Includes M4 mtg screws and springs.

ST130-DIN

Series ST DIN Rail Adapter – Includes a DIN rail bracket with mounting screws that connects a ST130 transmitter to a 35mm T-type or G-type DIN rail. Includes M4 mounting screws and springs.



ST130-MTG Mounting Kit

Required to mount ST130 transmitter in connection head enclosure.

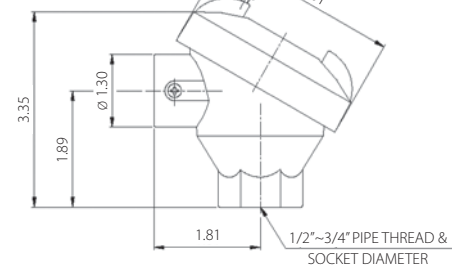


ST130-DIN DIN-rail Adapter

Includes ST130-MTG

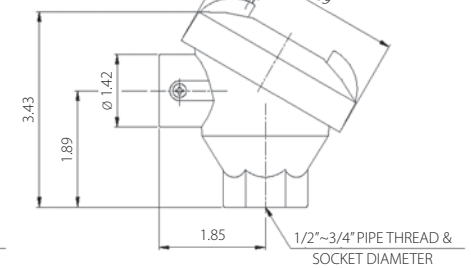
Dimensions:

4001-117K

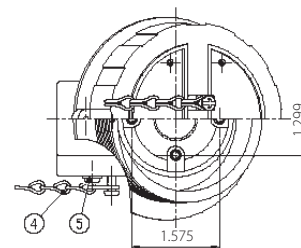
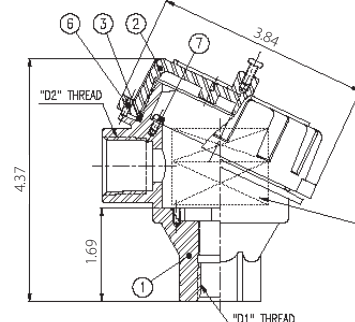


Dimensions:

4001-119K



Dimensions: 4001-115K and 4001-116K



Acromag 
THE LEADER IN INDUSTRIAL I/O