

## UDI 1700 MICRO-PRO SERIES UNIVERSAL DIGITAL INDICATOR

51-52-03-44 05/05

PRODUCT SPECIFICATION SHEET

- ✓ Digital Indicator
- ✓ 1 Universal Input, 0.1% accuracy
- ✓ Up to 5 Alarms and 5 alarm relays.
- ✓ Dual Colour display (Red / Green)
- ✓ 1 Digital Input.
- ✓ RS485 Modbus communication.
- ✓ Nema 3 / IP65 front face protection.
- ✓ 1/8 DIN Horizontal Size.
- ✓ Jumper free configuration.
- ✓ Easily field Upgradable.
- ✓ Downward compatibility with existing UDI1500 applications & wiring.



### Overview

#### A companion for the UDC1200/1700

Based on the same technology as the UDC1200/1700 low price controllers, the UDI1700 is the ideal companion of those controllers for application requiring performance in control and accurate indication.

#### Moisture resistant front face

Meets NEMA 3/IP65 front face protection against dust and water.

#### Universal Power supply and input

Can operate on any line voltage from 90Vac to 264Vac at 50/60Hz. A low voltage 24/48Vac/dc solution is also available. All input types like thermocouples, RTDs and linear DC are configurable as standard.

#### Flexibility & commonality

The option boards (alarm relay output, dual alarm relay and linear output retransmission ) are plug-in and autodetected for easy upgrade and low inventory. Furthermore, the unit has no jumpers !

#### Large visibility

A large 14 mm four digits LED display in red make the UDI1700 easy to read from a distance. A specific digit for °C or °F is provided.

#### Alarm strategy

Up to five soft alarms are available with or without remote relay action. The alarm types can be set on PV high or low . Alarm 1 can be latched and requires acknowledgment from the operator.

#### Min. and Max. indication

Maximum and Minimum values attained by the process variable since the last reset are stored for further analysis.

#### Time elapsed

The UDI1500 can also store the time elapsed since the alarm 1 became active. In combination with the above Max. and Min. features, it provides alarm information for more detailed analysis.

#### Transmitter Power Supply

Provided as an option on output 3 is 24 Volts DC power for a 2- wire transmitter.

#### Configuration

Easy and full configuration with straightforward menu via the instrument front face.

#### PV retransmission

The linear optional output 2 can be used for PV retransmission.

## Specifications

Accuracy	<i>Measurement:</i> 0.1 % of Span $\pm$ 1 LSD <i>Linearization for T/C &amp; RTD:</i> Better than $\pm$ 0.2 °C for decimal range; Better than $\pm$ 0.5 °C for integer range <i>Cold junction compensation (T/C only):</i> Better than $\pm$ 0.7 °C
Temperature Stability	0.01 % of span per °C
Input Signal Failure	For Thermocouple and RTDs : Upscale burnout For linear input: Downscale burnout (only applicable to 4-20mA)
Input Sampling Rate	Four samples per second
Input Filter	Digital filter: 0.0 (off), from 0.5 to 100.0 seconds in 0.5s increment
Input Isolation	Universal input isolated at 2500V from all outputs and from power supply
Stray Rejection	Common mode rejection: >120dB at 50/60Hz with negligible effect at 264V Serial mode rejection: >500% of span at 50/60Hz with negligible effect
Approvals	UL and CE approved
Environmental	EMI immunity: Complies with EN61326 Safety considerations: comply with EN61010-1 & UL3121
Front Panel Sealing	IP66 / NEMA3
Power consumption	100 to 240Vac, 50/60z : 7.5VA 20 to 48Vac, 50/60Hz : 7.5VA 22 to 65Vdc : 5W
Physical	Weight: 210 grams max. Width: 96mm/3.78 inches, Height: 48mm/1.89 inches, Depth: 100mm/3.94 inches Wiring connection: Screw terminals on the rear of the case (combination head)
Alarms	Up to five soft alarms with 5 SPDT relay outputs Alarm types: PV high or low with direct or reverse acting Up to five alarm hysteresis : From 1 LSD to 10% of span Combination alarms : Logical "OR" or "AND" Alarm 1 can be latched requiring specific acknowledgment
Output type	Output 1 : - Electromechanical relay output SPDT Output 2 : - Electromechanical relay output SPDT - Linear DC for PV retransmission - Dual electromechanical relays (2 SPST) Output 3 : - Electromechanical relay output SPDT - Dual electromechanical relays (2 SPST) - Transmitter power supply  <b>Linear DC output :</b> Accuracy: $\pm$ 0.25% (mA @ 250Ohms, V @ 2Kohms) Resolution: 8 bits in 250ms (10 bits in 1 second typical, >10 bits in >1 second)  <b>Electromechanical relay :</b> SPDT contact with 2 A at 120 V or 240 V (resistive load) Life time: > 500 000 operations at rated voltage/current.  <b>Dual electromechanical relays :</b> Single pole single throw (SPST) with 2 A at 120 V or 240 V (resistive load) Life time: > 200 000 operations at rated voltage/current.  <b>Transmitter power supply :</b> Voltage output: 20-28 Vdc with 24Vdc nominal Minimum load impedance: 910 ohms (22 mA and 20 Vdc)
Remote Reset Input	Voltage free or TTL compatible (External relay contact or TTL logic signal) To reset the latched alarm output 1
Communication Interface	RS485: ASCII or Modbus, selectable. Baud Rate: 1200, 2400, 4800, 9600, 19.2K Baud Link Characteristics: 32 drops maximum, ASCII protocol, two wires

## Input Actuations

		°F	°C
<b>Thermocouple types</b> (Fixed decimal)	R	32-3198	0-1759
	S	32-3204	0-1762
	J	-328-2192	-200-1200
	J	-199.9-999.9	-128.8-537.7
	T	-400-752	-240-400
	T	-199.9-752.0	-128.8-400.0
	K	-400-2503	-240-1373
	K	-199.9-999.9	-128.8-537.7
	L	32-999.9	0-537.7
	L	32-1403	0-762
	B	211-3315	100-1824
	N	32-2551	0-1399
C	32-4208	0-2320	
<b>RTD : (3 wires connection)</b> PT100 (IEC) $\alpha = 0.00385$ (Fixed decimal)	PtRh20% vs 40%	32-3362	0-1850
	Pt100	-328-1472	-199-800
	Pt100	-199.9-999.9	-128.8-537.7
<b>DC linear :</b>		0-20mA, 0-50mV, 0-5V, 0-10V	4-20mA, 10-50mV, 1-5V, 2-10V

## Operating Conditions

	Reference conditions	Operative limits	Transportation and storage
<b>Ambient temperature</b>	20°C±2°C (68°F±4°F)	0°C to 55°C (32°F to 131°F)	-20°C to 80°C (-4°F to 176°F)
<b>Relative Humidity</b>	60-70%	20-95% non condensing	
<b>Voltage</b>	90-264Vac ±1%	90-264Vac 20-50Vac or 22-65Vdc	
<b>Frequency</b>	50Hz	50-60Hz	
<b>Source resistance</b>	<10 ohms for thermocouple	1000 ohms max for thermocouple	
<b>Lead resistance for RTD</b>	<0.1 ohm/lead (PT100)	50 ohms per lead maximum balanced (PT100)	

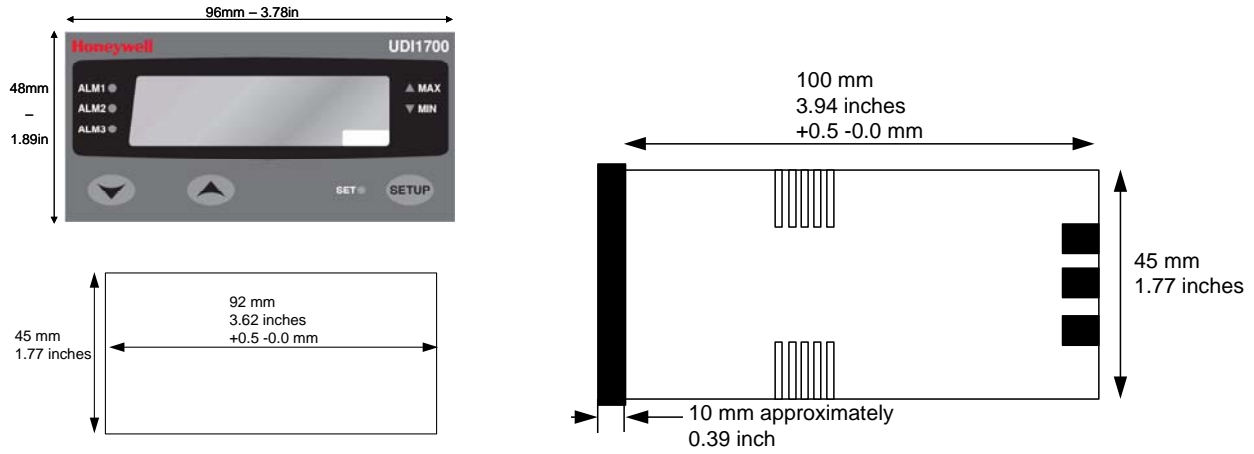
## Model Selection Guide

Key Number **DI170x** - I **1** - II **X** - III **X** - IV **X** - V **X** - VI **X** - VII **0** - VIII **0** - IX **00**

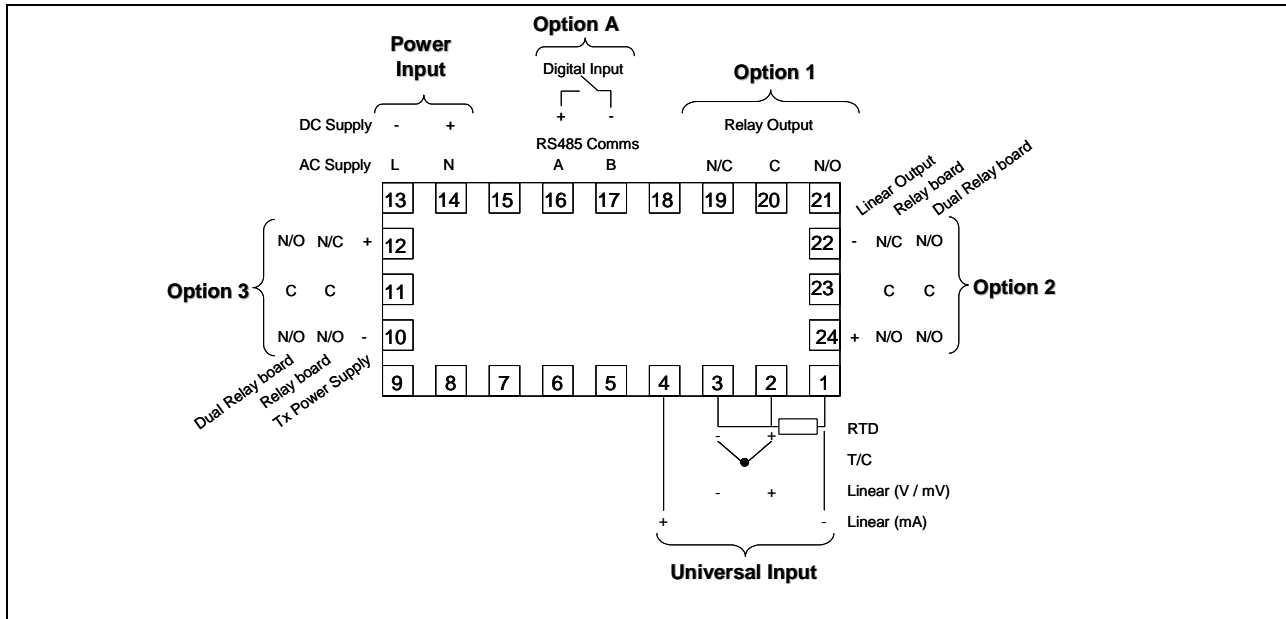
Display : 0=Red LEDs, 1=Green LEDs, 4=Colour change display  
 Power Supply : 1 = 90 to 264Vac, 2 = 24 to 48Vac/dc  
 Digital input : 0 = None, 1 = RS485, 2 = Digital Input  
 Output 3 : 0 = None, 1 = Relay, 8 = Tx PS, 9 = Dual Relay Board  
 Output 2 : 0 = None, 1 = Relay, 3 = Linear 0-10Volts, 4 = Linear 0-20mA,  
 5 = Linear 0-5Volts, 7 = Linear 4-20mA, 9 = Dual Relay board  
 Output 1 : 1=Relay  
 Input type : 1 = RTD or linear mV, 2 = T/C, 3 = Linear mA, 4 = Linear Volts

## External Dimensions and Panel Cutout

### UDI1700



## Wiring Diagram



Distributor :

Distributed by:



888.858.3647 | relevantsolutions.com

**Honeywell**

### Honeywell Inc. - Industrial Automation and Control Division

*Helping You Control Your World*

In the U.S.A. : Honeywell Industrial and Automation, 16404 North Black Canyon Hwy., Phoenix, AZ 85023, (602) 313-5000

In the Canada : The Honeywell Centre, 155 Gordon Baker Rd., North York, Ontario M2H 3N7, 1-800-461-0013

In Latin America : Honeywell Inc., 14505 Commerce Way, Suite 500, Miami Lakes, Florida 33016-1556, (305) 3642300

In Japan : Yamatake-Honeywell Co. Ltd. Nagai Int'l Bldg., 2-12-19 Shibuya, Shibuya-Ku, Tokyo 150, Japan, 81-3-3486-2051

In Asia : Honeywell Asia Pacific Inc., N°19, Toa Payoh, Lorong 8 #06-00, Singapore 1231, 354-6768

Honeywell Pacific Division : Honeywell Pty Ltd., 5 Thomas Holt Drive, North Ryde Sydney, NSW Australia 2113, (61-2) 353 7000

In Europe : Honeywell S.A., Avenue du Bourget, 1140 Brussels, Belgium, (32) 2-728-2111

Honeywell Control System Ltd, Honeywell House, UK-RG 12 1 EB, (44) 1344 656000