



A-T Controls, Inc.



**Canada Registration
Numbers (CRN)**



Manual and Automated Resilient Seated Butterfly Valves

ASSEMBLED IN USA (Through 12") with exception of AS Series



*Featuring the
KE Series actuator for
electric automation on
butterfly valves up to 4"*



Wafer and Lug Style

Sizes 1 1/2" - 36" in Stock
(larger sizes available)

Sizes 1 1/2" - 12" rated to 200 psi
(PTFE seats rated to 150 psi)

Sizes 14" - 36" rated to 150 psi
(PTFE seats rated to 90 psi)

Featuring **TRIAO** Actuators and Accessories
CONTROLS

A-T Controls Butterfly Valves

cover a wide range of industries from General Purpose to Chemical, Food and Beverage, Pulp and Paper, Waste Water applications and more. A-T Controls Butterfly Valves are designed to comply with MSS-SP-67 and API-609 and are tested to comply with API-598 standards. They are compatible with ANSI 125/150 flanges.



Standard Materials of Construction and Specifications

Body

Ductile iron (stainless steel available)

Disc

Nickel plated ductile iron (316SS, Aluminum Bronze, Nylon coated ductile iron, Undercut 316, Undercut Aluminum Bronze, PTFE coated SS, PTFE coated ductile iron, 304SS) ... others may be available on request

Seat

EPDM (Buna-N, Food grade EPDM, High temp EPDM, Viton®, PTFE over EPDM, Neoprene) ... others may be available on request

Stem

416SS (316SS, 17-4PH and others available)

Stem Bushing

PTFE (Lubricated Bronze available)

Stem Seal

Buna (Viton® available)

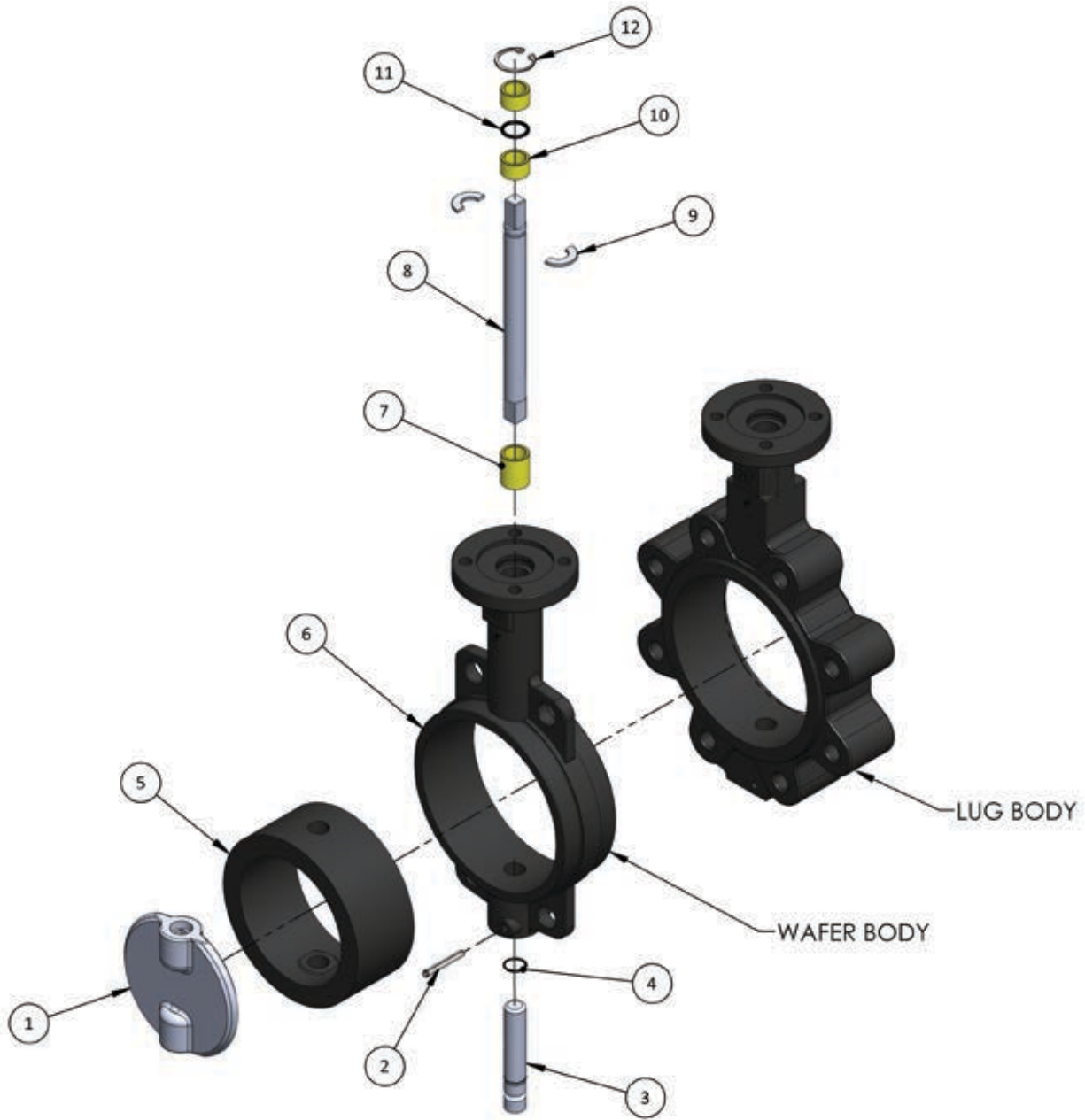
Each body is cast, precisely machined and epoxy-coated to meet rigid tolerances.

Multiple seat and disc material options are available to meet a wide variety of process applications.

Square Stem design facilitates direct mounting of actuators.

Each stem is machined to fit tightly into the upper disc for smooth operation and minimal hysteresis.

Bushings are available in PTFE and lubricated bronze. Both are corrosion resistant with minimal effect on valve torque.



ITEM	QTY.	DESCRIPTION	MATERIAL	OPTIONAL MATERIALS
1	1	DISC	DUCTILE IRON - ENP PLATED	ALUMINUM BRONZE, 316 STAINLESS STEEL, NYLON COATED, PTFE COATED STAINLESS STEEL, AND PTFE COATED DUCTILE IRON
2	1	LOWER SHAFT RETAINER PIN	ASTM A-582	
3	1	LOWER SHAFT	416 STAINLESS STEEL	316 STAINLESS STEEL
4	1	LOWER SHAFT O-RING	BUNA-N (non-wetted part)	EPDM, VITON®
5	1	SEAT	BUNA-N	EPDM, VITON®, EPDM BACKED PTFE
6	1	BODY	DUCTILE IRON	316 STAINLESS STEEL
7	1	LOWER BUSHING	PTFE	LUBRICATED BRONZE
8	1	UPPER SHAFT	416 STAINLESS STEEL	316 STAINLESS STEEL
9	1	SHAFT KEEPER RING	STEEL	
10	2	UPPER BUSHING	PTFE	LUBRICATED BRONZE
11	1	UPPER SHAFT O-RING	BUNA-N (non-wetted part)	EPDM, VITON®
12	1	RETAINING RING	STEEL	

Butterfly Valve Cv Values (US-GPM @ 1 Δ P) - Rated Flow Coefficients

Valve Size	10°	20°	30°	40°	50°	60°	70°	80°	90°
1-1/2"	NA	4	7	11	19	29	44	57	70
2"	0.9	6	12	22	38	59	93	125	155
2-1/2"	1.5	10	21	38	61	97	152	213	262
3"	2	14	31	55	91	145	245	340	417
4"	3	24	55	100	163	261	444	640	773
5"	5	39	88	160	261	421	716	1,053	1,267
6"	8	54	120	224	369	521	1,020	1,500	1,771
8"	13	99	226	421	698	1,125	1,862	2,789	3,230
10"	21	162	366	686	1,135	1,826	3,044	4,471	5,327
12"	28	240	542	1,026	1,687	2,739	4,563	6,832	8,117
14"	39	286	689	1,308	2,081	3,187	5,460	8,804	10,878
16"	53	429	995	1,887	2,954	4,659	7,907	11,854	14,062
18"	69	557	1,292	2,436	3,786	6,005	10,440	14,457	17,884
20"	86	689	1,622	2,916	4,738	7,223	12,537	18,573	22,484
24"	241	1,016	2,368	4,095	6,783	10,574	17,132	25,462	31,320

Approximate Operating Torque (In·lbs)

SIZE	Δ P= 50 PSI		Δ P= 100 PSI		Δ P= 150 PSI	
	WET	DRY	WET	DRY	WET	DRY
1-1/2"	91	145	96	153	103	163
2"	109	174	115	184	123	196
2-1/2"	115	218	122	231	136	258
3"	175	332	186	353	192	364
4"	276	505	309	565	328	600
5"	433	753	476	828	512	890
6"	672	1,182	748	1,316	831	1,462
8"	1,214	2,088	1,360	2,339	1,527	2,626
10"	1,902	3,233	2,200	3,740	2,530	4,310
12"	2,781	4,533	3,284	5,353	3,794	6,184
14"	3,548	5,322	4,125	6,187	4,870	7,305
16"	4,415	6,622	5,590	8,385	6,685	10,027
18"	5,780	8,670	7,354	11,031	8,958	13,437
20"	7,410	11,115	9,670	14,505	11,950	17,925
24"	11,580	17,370	14,860	22,290	18,680	28,020

UNDERCUT DISC OPERATING TORQUE (In·lbs)

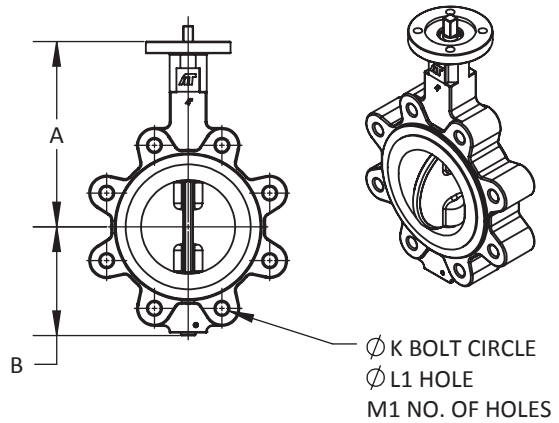
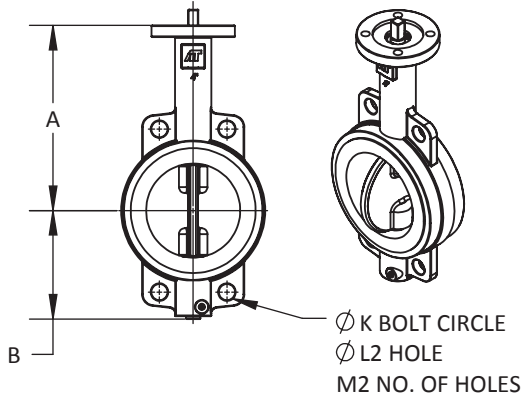
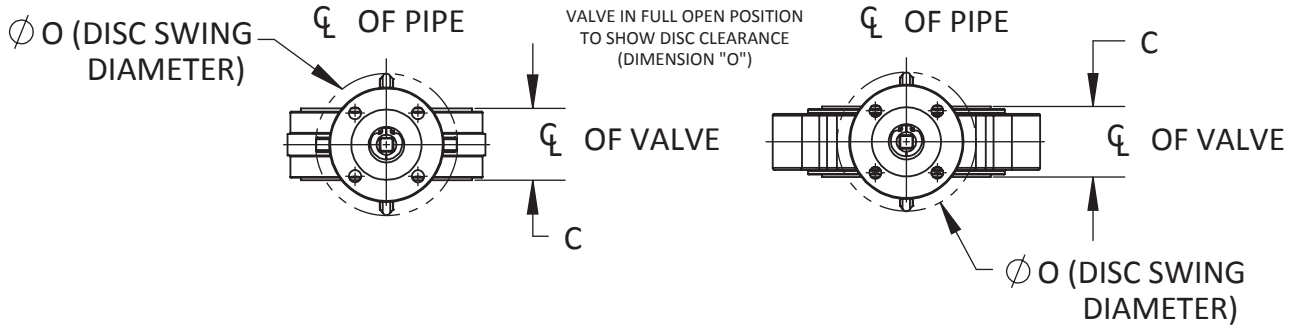
Size	50 PSID		75 PSID	
	WET	DRY	WET	DRY
6"	403	709	426	749
8"	728	1,253	772	1,328
10"	1,141	1,940	1,231	2,092
12"	1,669	2,720	1,820	2,966

Seat Temperature Ratings

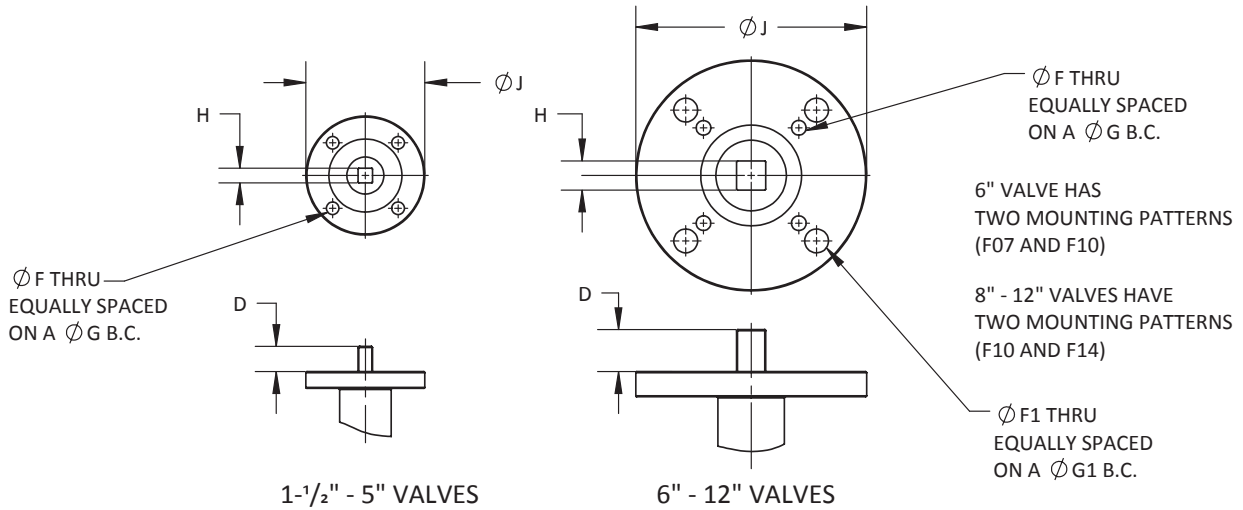
Material	Temperature Ratings °F
Buna-N	0° to 200°
EPDM	-20° to 250°
Food Grade EPDM	-20° to 250°
High Temp EPDM	-20° to 275°
PTFE over EPDM	0° to 275°
Viton®	-10° to 325°

Wafer Style Body

Lug Style Body

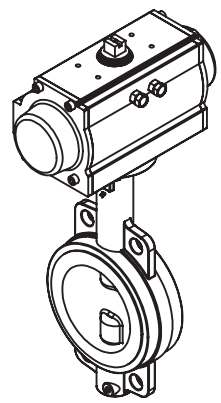
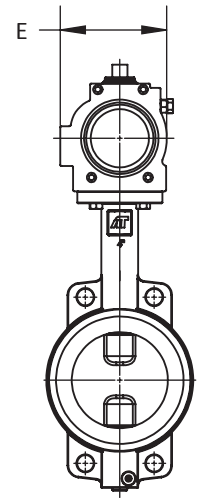
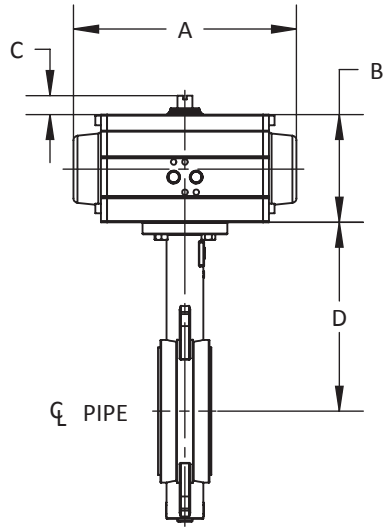


Mounting Pad Details



SIZE	A	B	C	D	F	F1	G	G1	H	J	K	L1	L2	M1	M2	WAFER	LUG	O	ISO5211
1-1/2"	5.35	2.72	1.26	0.67	0.38	N/A	2.756	N/A	0.354	3.54	3.88	1/2-13 UNC	0.63	4	4	5 LBS	8 LBS	1.68	F07
2"	6.38	3.13	1.75	0.67	0.38	N/A	2.756	N/A	0.354	3.54	4.75	5/8-11 UNC	0.75	4	4	6 LBS	9 LBS	2.00	F07
2-1/2"	6.88	3.50	1.94	0.67	0.38	N/A	2.756	N/A	0.354	3.54	5.50	5/8-11 UNC	0.75	4	4	7 LBS	13 LBS	2.50	F07
3"	7.13	3.75	1.94	0.67	0.38	N/A	2.756	N/A	0.354	3.54	6.00	5/8-11 UNC	0.75	4	4	10 LBS	14 LBS	3.10	F07
4"	7.88	4.64	2.13	0.67	0.38	N/A	2.756	N/A	0.433	3.54	7.50	5/8-11 UNC	0.75	8	4	13 LBS	19 LBS	4.10	F07
5"	8.38	5.00	2.34	0.71	0.38	N/A	2.756	N/A	0.551	3.54	8.50	3/4-10 UNC	0.88	8	4	18 LBS	22 LBS	4.85	F07
6"	8.88	5.50	2.25	0.71	0.38	0.44	2.756	4.016	0.551	4.92	9.50	3/4-10 UNC	0.88	8	4	21 LBS	31 LBS	6.12	F07/F10
8"	10.25	6.88	2.50	0.71	0.44	0.71	4.016	5.512	0.669	6.88	11.75	3/4-10 UNC	0.88	8	4	34 LBS	49 LBS	7.96	F10/F14
10"	11.50	8.00	2.85	1.02	0.44	0.71	4.016	5.512	0.748	6.88	14.25	7/8-9 UNC	1.00	12	4	45 LBS	72 LBS	9.86	F10/F14
12"	13.25	9.50	3.22	1.18	0.44	0.71	4.016	5.512	0.866	6.88	17.00	7/8-9 UNC	1.00	12	4	74 LBS	105 LBS	11.88	F10/F14

DIMENSION "C" REPRESENTS VALVE SEAT IN RELAXED CONDITION. APPROXIMATELY 1/8" OF TOTAL COMPRESSION IS REQUIRED FOR PROPER SEALING WITH PIPE FLANGES.



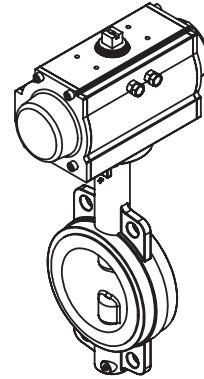
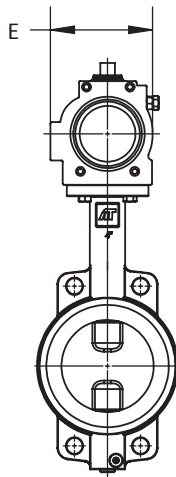
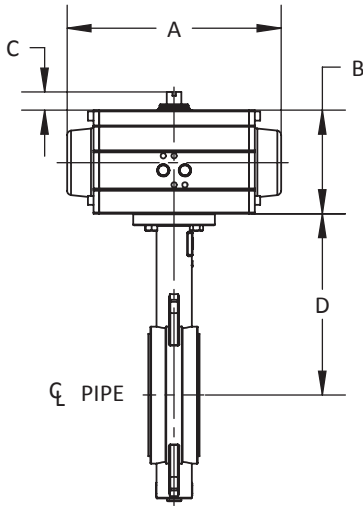
OC/OS Series Double Acting Dimensions

SELECT "WET" OR "DRY" MEDIUM APPLICATION AND THE CORRESPONDING PRESSURE DROP VALUE. THEN SELECT THE VALVE SIZE AND REFERENCE THE CORRECT ACTUATOR DIMENSION SET BELOW.

VALVE SIZE	WET			DRY		
	PRESSURE DROP					
	50	100	150	50	100	150
	ACTUATOR DIMENSION SET					
1-1/2"	#	#	#	#	#	#
2"	1	1	1	1	1	1
2-1/2"	2	2	2	2	2	2
3"	3	3	3	14	14	14
4"	4	5	5	5	5	5
5"	6	6	6	15	15	15
6"	7	7	7	16	16	17
8"	8	9	9	9	18	18
10"	10	11	11	19	19	19
12"	12	12	13	13	13	13

DIMENSION SET	A	B	C	D	E	ACTUATOR
#	7.95	3.43	0.79	5.35	3.29	2R40DA
1	7.95	3.43	0.79	6.34	3.29	2R40DA
2	7.95	3.43	0.79	6.89	3.29	2R40DA
3	7.95	3.43	0.79	7.13	3.29	2R40DA
4	7.95	3.43	0.79	7.87	3.29	2R40DA
5	9.29	4.49	0.79	7.87	4.41	2R80DA
6	9.29	4.49	0.79	8.39	4.41	2R80DA
7	10.87	4.88	0.79	8.90	4.69	2R130DA
8	11.46	5.28	0.79	10.24	5.06	2R200DA
9	13.90	6.18	0.79	10.24	5.91	2R300DA
10	13.90	6.18	0.79	11.50	5.91	2R300DA
11	15.16	6.93	1.18	11.50	6.50	2R500DA
12	15.16	6.93	1.18	13.27	6.50	2R500DA
13	20.95	8.31	1.18	13.27	6.89	2R850DA
14	9.29	4.49	0.79	7.13	4.41	2R80DA
15	10.87	4.88	0.79	8.39	4.69	2R130DA
16	11.46	5.28	0.79	8.90	5.06	2R200DA
17	13.90	6.18	0.79	8.90	5.91	2R300DA
18	15.16	6.93	1.18	10.24	6.50	2R500DA
19	20.95	8.31	1.18	11.50	6.89	2R850DA

CONSULT FACTORY FOR ACTUATOR SIZING ON VALVES LARGER THAN 12"



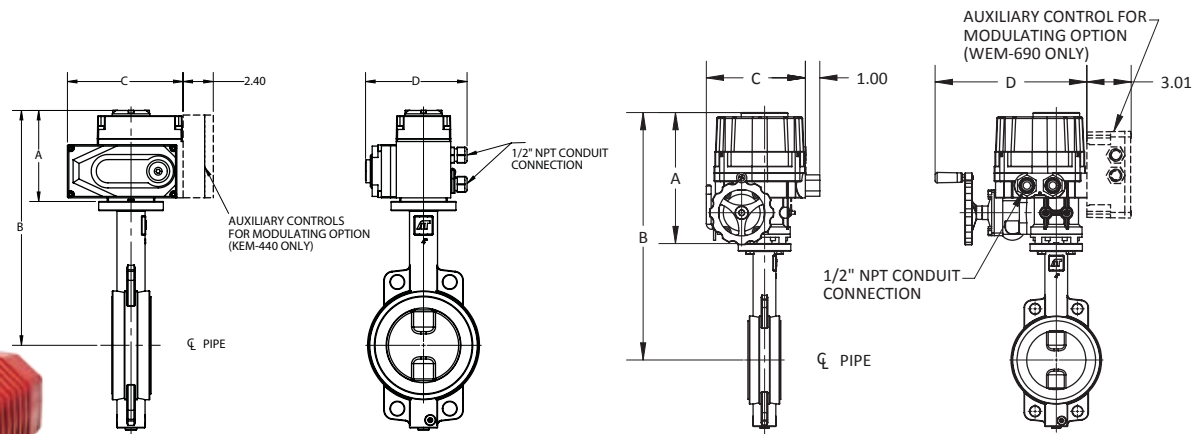
SELECT "WET" OR "DRY" MEDIUM APPLICATION AND THE CORRESPONDING PRESSURE DROP VALUE. THEN SELECT THE VALVE SIZE AND REFERENCE THE CORRECT ACTUATOR DIMENSION SET BELOW.

VALVE SIZE	WET			DRY		
	PRESSURE DROP					
	50	100	150	50	100	150
ACTUATOR DIMENSION SET						
	#	#	#	#	#	#
1-1/2"	#	#	#	#	#	#
2"	1	1	1	1	1	1
2-1/2"	2	2	2	2	2	13
3"	3	3	3	14	15	15
4"	4	4	4	16	16	16
5"	5	5	5	5	5	5
6"	6	6	6	17	17	18
8"	7	7	8	19	19	19
10"	9	10	10	20	CF	CF
12"	11	12	12	CF	CF	CF

DIMENSION SET	A	B	C	D	E	ACTUATOR
#	9.29	4.49	0.79	5.35	4.41	2R80SR
1	9.29	4.49	0.79	6.34	4.41	2R80SR
2	9.29	4.49	0.79	6.89	4.41	2R80SR
3	9.29	4.49	0.79	7.13	4.41	2R80SR
4	11.46	5.28	0.79	7.87	5.06	2R200SR
5	13.90	6.18	0.79	8.39	5.91	2R300SR
6	13.90	6.18	0.79	8.90	5.91	2R300SR
7	15.16	6.93	1.18	10.24	6.50	2R500SR
8	20.95	8.31	1.18	10.24	6.89	2R850SR
9	20.95	8.31	1.18	11.50	6.89	2R850SR
10	22.68	9.17	1.18	11.50	7.60	2R1200SR
11	22.68	9.17	1.18	13.27	7.60	2R1200SR
12	24.37	10.12	1.18	13.27	8.31	2R1750SR
13	10.87	4.88	0.79	6.89	4.69	2R130SR
14	10.87	4.88	0.79	7.13	4.69	2R130SR
15	11.46	5.28	0.79	7.13	5.06	2R200SR
16	13.90	6.18	0.79	7.87	5.91	2R300SR
17	15.16	6.93	1.18	8.90	6.50	2R500SR
18	20.95	8.31	1.18	8.90	6.89	2R850SR
19	22.68	9.17	1.18	10.24	7.60	2R1200SR
20	24.37	10.12	1.18	11.50	8.31	2R1750SR

CONSULT FACTORY FOR ACTUATOR SIZING ON VALVES LARGER THAN 12"

OC/OS Series Spring Return Dimensions



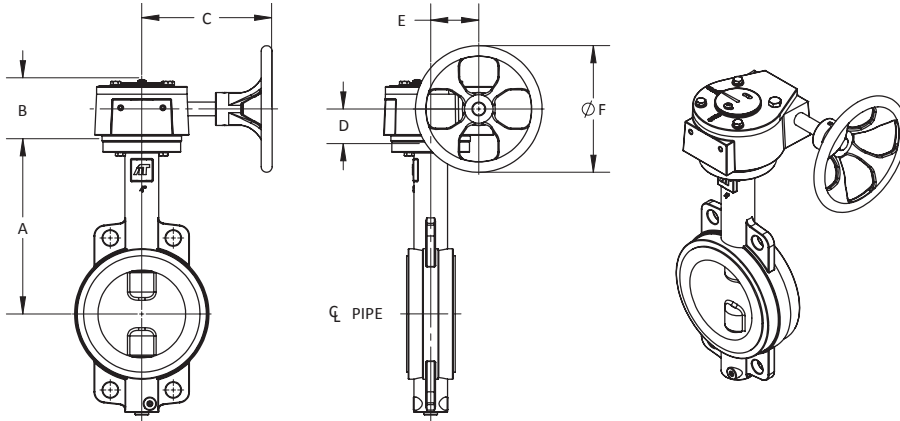
SELECT "WET" OR "DRY" MEDIUM APPLICATION AND THE CORRESPONDING PRESSURE DROP VALUE. THEN SELECT THE VALVE SIZE AND REFERENCE THE CORRECT ACTUATOR DIMENSION SET BELOW.

VALVE SIZE	WET			DRY		
	PRESSURE DROP					
	50	100	150	50	100	150
ACTUATOR DIMENSION SET						
	#	#	#	#	#	#
1-1/2"	#	#	#	#	#	#
2"	1	1	1	1	1	1
2-1/2"	2	2	2	2	2	2
3"	3	3	3	3	3	3
4"	4	4	4	12	12	12
5"	6	6	6	13	13	13
6"	7	7	7	7	7	14
8"	8	9	9	15	15	15
10"	10	10	10	16	16	16
12"	11	11	11	17	18	18

DIMENSION SET	A	B	C	D	ACTUATOR
#	5.14	10.49	6.46	5.47	KE-440*
1	5.14	11.47	6.46	5.47	KE-440*
2	5.14	12.02	6.46	5.47	KE-440*
3	5.14	12.26	6.46	5.47	KE-440*
4	5.31	13.18	7.37	6.30	KE-880*
6	8.66	17.04	6.69	10.16	WE-690
7	10.24	19.13	9.02	13.31	WE-1350
8	10.24	20.47	9.02	13.31	WE-1350
9	10.24	20.47	9.02	13.31	WE-1700
10	11.42	22.91	10.20	14.49	WE-2640
11	11.42	24.68	10.20	14.49	WE-4400
12	8.66	16.53	6.69	10.16	WE-690
13	10.24	18.62	9.02	13.31	WE-1350
14	10.24	19.13	9.02	13.31	WE-1700
15	11.42	21.65	10.20	14.49	WE-2640
16	11.42	22.91	10.20	14.49	WE-4400
17	11.42	24.68	10.20	14.49	WE-5200
18	12.40	25.66	11.69	16.14	WE-6900

CONSULT FACTORY FOR ACTUATOR SIZING ON VALVES LARGER THAN 12"
 *KE Series actuator recommended; WE-500 may be substituted

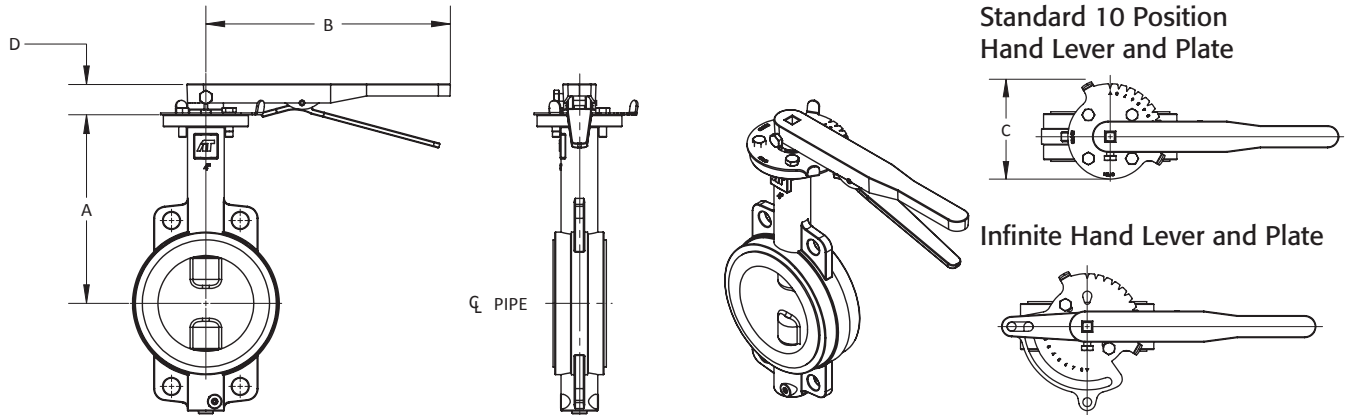
Gear Operator



SIZE	A	B	C	D	E	F
1-1/2"	5.35	2.79	6.00	1.48	1.77	5.87
2"	6.38	2.79	6.00	1.48	1.77	5.87
2-1/2"	6.88	2.79	6.00	1.48	1.77	5.87
3"	7.13	2.79	6.00	1.48	1.77	5.87
4"	7.88	2.79	6.00	1.48	1.77	5.87
5"	8.38	2.79	6.00	1.48	1.77	5.87
6"	8.88	2.79	6.00	1.48	1.77	5.87
8"	10.25	3.30	8.75	1.57	2.60	11.62
10"	11.50	3.30	8.75	1.57	2.60	11.62
12"	13.25	3.30	8.75	1.57	3.01	11.62

CONSULT FACTORY FOR GEAR ACTUATOR SIZING ON VALVES LARGER THAN 12"

Hand Lever



SIZE	A	B	C	D
1-1/2"	5.35	10.51	4.45	1.18
2"	6.38	10.51	4.45	1.18
2-1/2"	6.88	10.51	4.45	1.18
3"	7.13	10.51	4.45	1.18
4"	7.88	10.51	4.45	1.18
5"	8.38	10.51	4.45	1.18
6"	8.88	10.51	4.45	1.18
8"	10.25	14.13	6.63	1.32
10"	11.50	14.13	6.63	1.32
12"	13.25	20.75	6.63	1.44





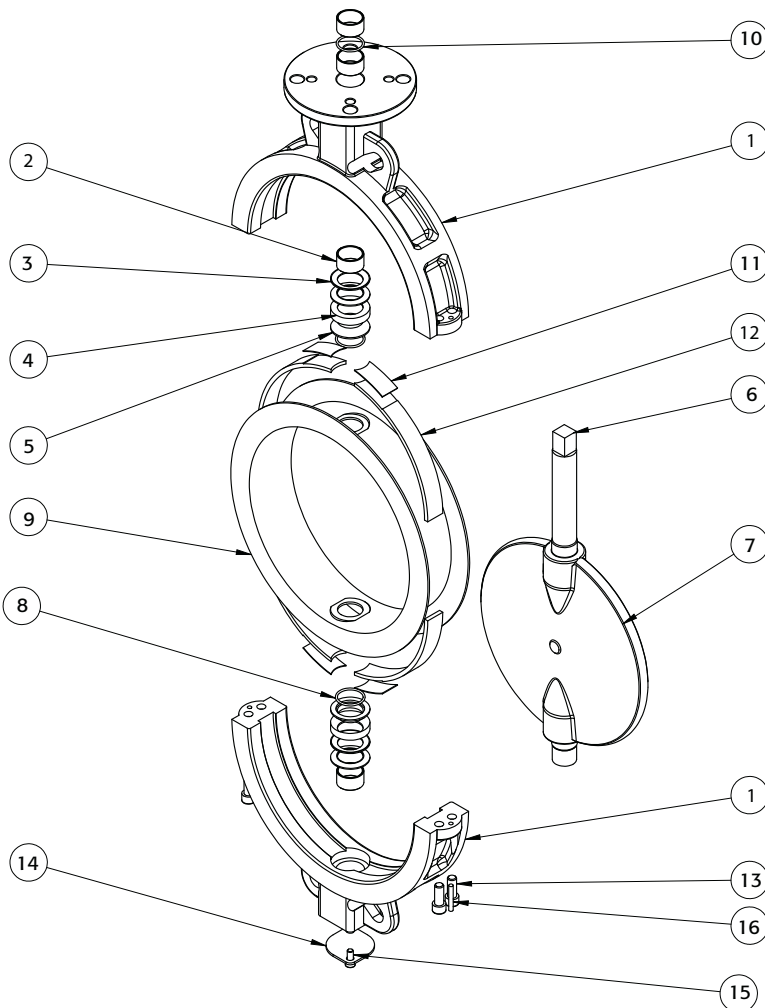
AS Series butterfly valves

are PFA lined (encapsulated) for superior corrosion resistance against severe chemicals and corrosive services.

- Bi-directional, bubble tight shut-off
- Rated to 150 psi
- Live Loaded packing
- Blow out proof stem
- 2-piece wafer or lug bodies are epoxy coated
- Resilient back up liner
- Multiple safety seals
- Operating Temp: -20°F to 355°F
- Sizes 2 - 12" (CF for 14" - 24")

STANDARDS

Design	API 609
Pressure Testing	API 598
End Connections	ANSI/ASME B16.5
Face to Face Dimensions	ANSI/ASME B16.10
Mounting Dimensions	ISO 5211
Material Certification	EN 10204-3.1 MTR
Quality Assurance	ISO 9001:2008

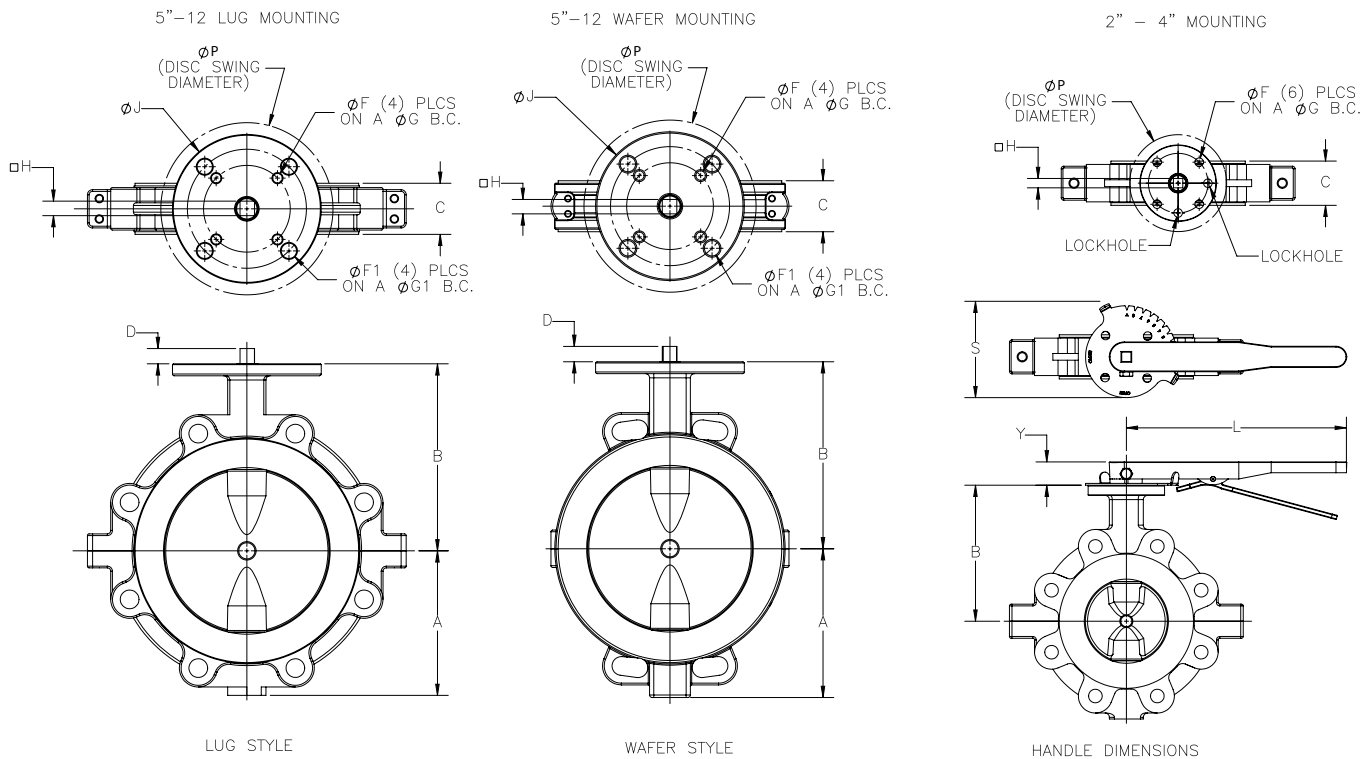


ITEM NO.	PART NUMBER	QTY.	MATERIAL
1	BODY	1	ASTM A216 GRADE WCB ASTM A351 GRADE CF8M
2	BUSHING	4	PTFE/SST BUSHING
3	BELLEVILLE WASHER	4	AISI 301
4	V-SEAL GLAND	2	AISI 304
5	V-SEAL RING	2	PTFE
6	STEM	1	17-4 PH
7	DISC	1	PFA/ASTM A351 GRADE CF8
8	LOWER O-RING	2	VITON® (non-wetted part)
9	SEAT	1	PTFE
10	UPPER O-RING	1	VITON® (non-wetted part)
11	PAD ENERGIZER	4	COMPOSITE
12	RESILIENT PAD	4	SILICONE RUBBER
13	BODY BOLT	*	ISO 3506-1 A2-70
14	COVER**	1	ASTM A1020 CARBON STEEL
15	COVER BOLT**	2	ISO 3506-1 A2-70
16	PIN***	2	CARBON STEEL

*QTY 2 FOR 2" - 5" VALVES; QTY 4 FOR 6" - 12" VALVES
 **ONLY PRESENT ON 10" AND 12" VALVES, AND 8" LUG VALVE
 ***ONLY PRESENT ON 12" WAFER VALVE

SIZE	OPERATING TORQUE In-lbs (150 PSIG Air)	C _v (Fully Open)
2"	166	210
2½"	228	210
3"	332	410
4"	531	710
5"	597	1,150
6"	863	1,750
8"	1,195	3,550
10"	2,655	5,100
12"	4,049	8,870

Torques include 15% safety.

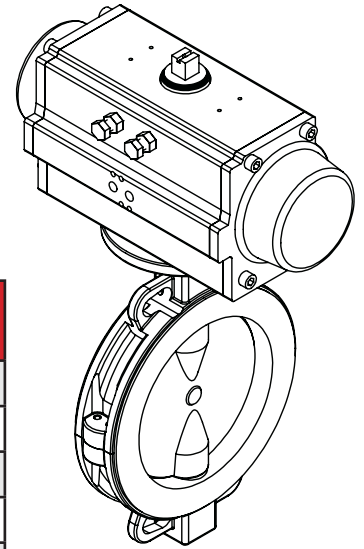
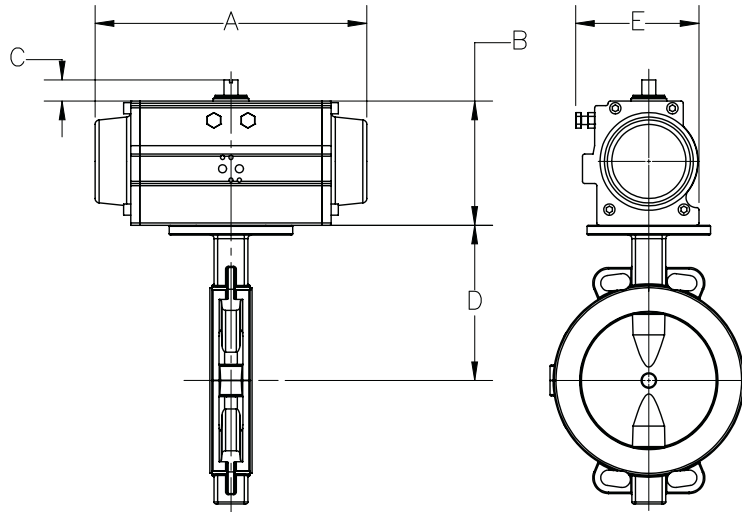


SIZE	A	B	C	D	F	F1	G	G1	H	J	L	P	S	Y	END CONNECTIONS	ISO 5211	Lug (lbs)	Wafer (lbs)
2"	2.76*	4.53	1.75	0.67	0.38	N/A	2.756	N/A	0.433	3.54	10.51	2.45	4.45	1.18	ANSI B16.5 CLASS 150	F07	13.89	4.85
2½"	2.95*	4.53	1.75	0.67	0.38	N/A	2.756	N/A	0.433	3.54	10.51	2.45	4.45	1.18	ANSI B16.5 CLASS 150	F07	15.43	4.85
3"	3.15**	5.22**	1.81	0.67	0.38	N/A	2.756	N/A	0.433	3.54	10.51	2.51	4.45	1.18	ANSI B16.5 CLASS 150	F07	18.74	9.26
4"	4.53	6.30	2.13	0.67	0.38	N/A	2.756	N/A	0.433	3.54	10.51	3.55	4.45	1.18	ANSI B16.5 CLASS 150	F07	28.66	14.10
5"	5.12	6.89	2.23	0.67	0.38	N/A	2.756	N/A	0.433	3.54	CF	5.01	CF	CF	ANSI B16.5 CLASS 150	F07	37.48	17.42
6"	5.71	7.56	2.25	0.71	0.38	0.44	2.756	4.016	0.551	4.92	CF	6.03	CF	CF	ANSI B16.5 CLASS 150	F07/F10	50.04	22.93
8"	6.89	8.66	2.50	0.71	0.44	0.71	4.016	5.512	0.669	6.88	CF	7.94	CF	CF	ANSI B16.5 CLASS 150	F10/F14	67.24	37.48
10"	8.46	10.83	2.75	1.02	0.44	0.71	4.016	5.512	0.748	6.88	CF	9.83	CF	CF	ANSI B16.5 CLASS 150	F10/F14	113.54	55.12
12"	9.84	12.20	3.13	1.18	0.44	0.71	4.016	5.512	0.866	6.88	CF	11.95	CF	CF	ANSI B16.5 CLASS 150	F10/F14	140.21	76.06

* Dimension A is 2.36 for Wafer Valves, size 2" and 2½"

** For 3" Wafer valves, dimension A is 3.39 and dimension B is 5.91

A-T Controls reserves the right to change product designs and technical/dimensional specifications without notice. See website for updates.



DIMENSIONS - AS Series Double Acting Package

SIZE	A	B	C	D	E	Actuator Size
2"	7.95	3.43	0.79	4.53	3.21	2R40
2½"	7.95	3.43	0.79	4.53	3.21	2R40
3"	9.29	4.49	0.79	5.22*	4.17	2R80
4"	9.29	4.49	0.79	6.30	4.17	2R80
5"	9.29	4.49	0.79	6.89	4.17	2R80
6"	10.87	4.88	0.79	7.56	4.83	2R130
8"	11.46	5.28	0.79	8.66	5.19	2R200
10"	15.16	6.93	1.18	10.83	6.69	2R500
12"	20.95	8.31	1.18	12.20	7.64	2R850

ACTUATOR SIZED FOR 80 PSI

* Dimension *D* is 5.91 for Wafer Valves, size 3"

DIMENSIONS - AS Series Spring Return Package

SIZE	A	B	C	D	E	Actuator Size
2"	9.29	4.49	0.79	4.53	4.17	2R80
2½"	10.87	4.88	0.79	4.53	4.83	2R130
3"	11.46	5.28	0.79	5.22*	5.19	2R200
4"	13.90	6.18	0.79	6.30	6.05	2R300
5"	13.90	6.18	0.79	6.89	6.05	2R300
6"	15.16	6.93	1.18	7.56	6.69	2R500
8"	15.16	6.93	1.18	8.66	6.69	2R500
10"	24.37	10.12	1.18	10.83	9.29	2R1750
12"	27.38	10.12	1.18	12.20	9.38	2R2500

ACTUATOR SIZED FOR 80 PSI. STANDARD 5 SPRINGS PER SIDE

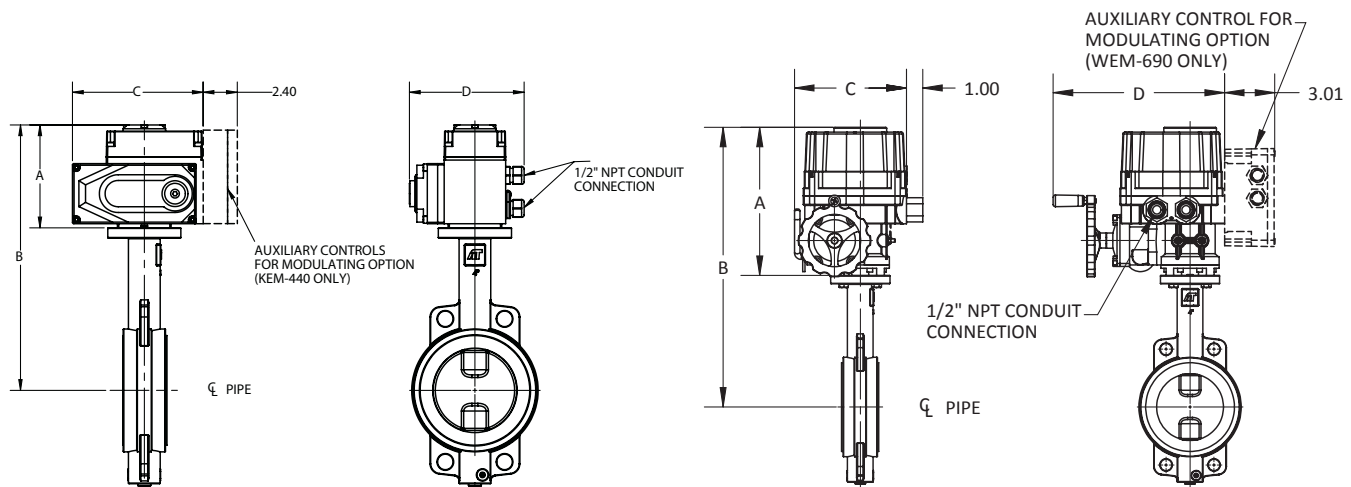
* Dimension *D* is 5.91 for Wafer Valves, size 3"

DIMENSIONS - AS Series Electric Automated Package

SIZE	A	B	C	D	On-Off Actuator	Modulating Actuator
2"	5.14	9.67	6.46	5.47	KE-440*	KEM-440*
2½"	5.14	9.67	6.46	5.47	KE-440*	KEM-440*
3"	5.14	10.36**	6.46	5.47	KE-440*	KEM-440*
4"	8.66	14.96	6.69	10.16	WE-690	WEM-690
5"	8.66	15.55	6.69	10.16	WE-690	WEM-690
6"	10.24	17.80	9.02	13.31	WE-1350	WEM-1350
8"	10.24	18.90	9.02	13.31	WE-1350	WEM-1700
10"	11.42	21.85	10.20	14.49	WE-4400	WEM-4400
12"	11.42	23.62	10.20	14.49	WE-4400	WEM-5200

** Dimension B is 11.05 for Wafer Valves, size 3"

* MAY BE SUBSTITUTED WITH WE-500
DIMENSIONS BASED UPON ON/OFF APPLICATIONS



Triac KE Series Actuators

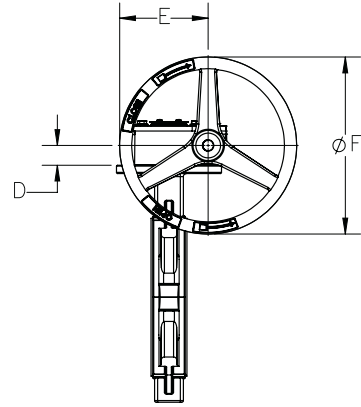
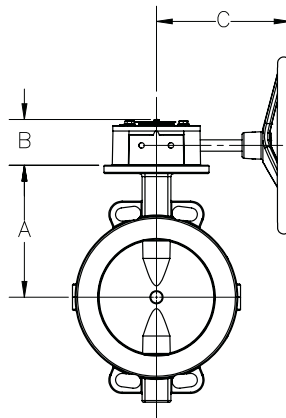
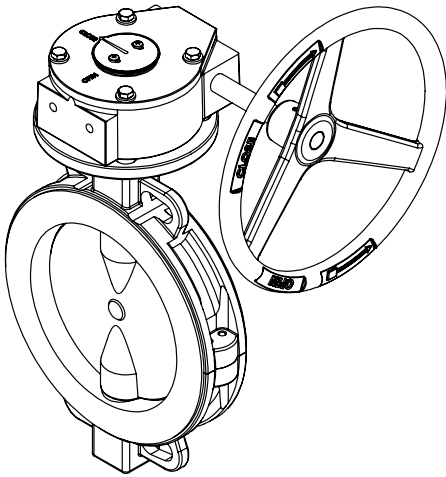
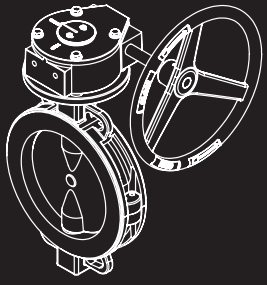
The Triac KE Series electric actuators are the perfect match for resilient or high-performance butterfly valves and dampers because of the self-locking worm drive. The KE Series actuators are used to control rotary valves, such as butterfly valves, ball valves, plug valves, etc. Widely used in applications such as petroleum, chemical, water treatment, ship, paper, power stations, heating supply, building automation, light industry etc.

Standard Features

- Convex lens visual position indicator makes it easier to observe without water collecting on the surface of the indicator
- Anti-condensation heater and thermostat
- Two auxiliary limit switches
- Self-locking gear train
- Manual override with wrench
- Available motor voltages: 12VDC, 24VDC, 120VAC & 220VAC
- Optional 4-20mA & 0-10 VDC proportional control



*Unique low profile actuator,
ideal for tight spaces*



DIMENSIONS - Gear Operator with AS Series valve

SIZE	A	B	C	D	E	F
2"	4.53	2.79	6.00	1.48	1.77	5.87
2½"	4.53	2.79	6.00	1.48	1.77	5.87
3"	5.22*	2.79	6.00	1.48	1.77	5.87
4"	6.30	2.79	6.00	1.48	1.77	5.87
5"	6.89	2.79	6.00	1.48	1.77	5.87
6"	7.56	2.79	6.00	1.48	1.77	5.87
8"	8.66	3.30	8.75	1.57	2.60	11.62
10"	10.83	3.30	8.75	1.57	2.60	11.62
12"	12.20	3.30	8.75	1.57	3.01	11.62

* Dimension A is 5.91 for Wafer Valves, size 3"
 CONSULT FACTORY FOR GEAR ACTUATOR SIZING ON VALVES LARGER THAN 12"

Part Number Matrix for **A-T Controls Resilient Seated** Butterfly Valves

1 Valve Series	
OC	A-T BFV with DD Stem (14" and larger)
OS	A-T BFV with Square Stem (2-12") (Standard)

2 Body Material	
blank	(No Designation) = Stainless Steel (SST) Body
B	Ductile Iron (Standard)

3 End Connection	
L1	125/150# Lug
W1	125/150# Wafer with Guide Holes
W2	125/150# Wafer (no Guide Holes)

4 Valve Size			
0150	1-1/2"	1400	14"
0200	2"	1600	16"
0250	2-1/2"	1800	18"
0300	3"	2000	20"
0400	4"	2400	24"
0500	5"	3000	30"
0600	6"	3600	36"
0800	8"		
1000	10"		
1200	12"		

5 Seat Material/Style			
B	Buna	P	PTFE
E	EPDM	V	Viton®
F	Food Grade EPDM		
H	High Temp EPDM		

6 Disc Material/Style	
B	Aluminum Bronze
D	Ductile Iron (Nickel Plated)
N	Nylon Coated Ductile Iron
S	316 SST
U	Undercut Aluminum Bronze
W	Polished 316 SST
Y	Undercut Polished 316 SST (6" and larger only)
Z	Undercut 316 SST (6" and larger only)

7 Stem Bushing	
R	PTFE (Standard)
B	Lubricated Bronze

8 Operator Designation	
X	Bare Stem
H	Standard 10 point Handle
S	Stainless Steel 10 point Handle
I	Infinite Adjustment Handle
G	Gear Operator

9 Stem	
blank	(No Designation) = 316 SST Stem
E	416 SST Stem (Standard)
F	431 SST Stem (Standard with PTFE seat)

HOW TO ORDER MANUAL RESILIENT SEATED BUTTERFLY VALVES								
1	2	-	3	-	4	-	5	6 7 - 8 9
↓↓			↓		↓		↓↓↓	↓↓
OSB	-	W1	-	0200	-	EDR	-	X E

HOW TO ORDER AUTOMATED RESILIENT SEATED BUTTERFLY VALVES										
1	2	-	3	-	4	-	5	6 7 - 8 9 / actuator size - options		
↓	↓		↓		↓		↓↓↓	↓↓	↓	↓
OSB	-	W1	-	0200	-	EDR	-	X E /	2R3S	- XX
(see Actuator Size Legend)										

AS Series Lined Resilient Seated Butterfly Valves

1 Valve Series	
AS	A-T Split Body Lined Butterfly Valve
2 Body Material	
blank	(No Designation) Stainless Steel (SST) Body
C	Carbon Steel (ASTM A216 Grade WCB)
3 End Connection	
L1	125/150# Lug
W1	125/150# Wafer
4 Valve Size	
0150	1-1/2" 1400 14"
0200	2" 1600 16"
0250	2-1/2" 1800 18"
0300	3" 2000 20"
0400	4" 2400 24"
0500	5"
0600	6"
0800	8"
1000	10"
1200	12"
5 Seat Material/Style	
P	PTFE
6 Disc Material/Style	
F	PFA Encapsulated over 304 SST (standard with WCB body)
M	PFA Encapsulated over 316 SST (standard with SST body)
7 Stem Bushing	
R	PTFE
8 Operator Designation	
X	Bare Stem
H	Standard 10 point Handle
S	Stainless Steel 10 point Handle
G	Gear Operator
9 Stem	
A	17-4 PH® Stem

EXAMPLE:
ASC-L1-0600-PFR-XA
(6" A-T Controls Split Body Lined Butterfly Valve, ASTM A216 Grade WCB Body, 150# Lug Style, PTFE Seat, PFA Encapsulated over 304 SST Disc, PTFE Stem Bushing, 17-4 PH Stem.)

How to Order Resilient Seated Butterfly Valves

Automated Tee Assemblies

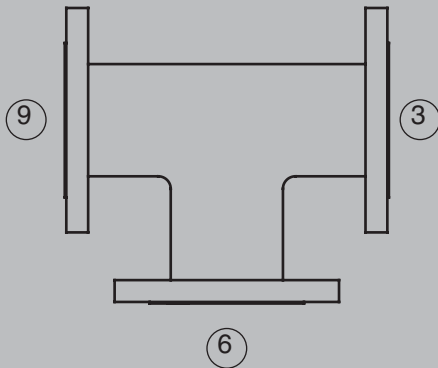
Butterfly Valve Tee Assemblies



A-T Controls' Butterfly Valve Tee Assemblies provide a cost-effective, alternative to a 3-way valve solution. Available for lug style butterfly valves, these unique tee assemblies can be customized to fit your application. Consult factory for valve selection and assembly options.

- Sizes 2" - 36"
- Lug style Ductile Iron body
- Various Seat Options for special applications

When ordering please specify actuator and valve position:



Choose position:

Actuator (Primary):

3 6 9

Valve (Secondary) Location:

3 6 9

Valve Position:

- Primary Closed (CW) - Secondary Open (CCW)
- Primary Open (CCW) - Secondary Closed (CW)
- Primary Open (CCW) - Secondary Open (CCW)
- Primary Closed (CW) - Secondary Closed (CW)

Example:

Actuator (Primary): Position 3, Closed

Valve (Secondary): Position 6, Open

Flange bolting is the responsibility of the customer. Temporary flange bolts are supplied for shipping purposes only.