



PST360

FIELD-PROGRAMMABLE PRESSURE SWITCH/TRANSDUCER WITH INTEGRATED LED DISPLAY

DESCRIPTION:

What makes the PST360 Series stand apart is the unique LED display - which allows for 360° scrolling, or you can lock the display in one location. It also features field programmable set points and hysteresis.

Because it is built on Peak technology, the PST360 Series incorporates redundant sensing elements, allowing for notification that the sensor needs to be replaced should one of the sensing elements fail (maintenance mode), eliminating operational downtime.

The PST360 Series pressure switch/transducer comes standard with one digital output and optional analog output. Unit operates from 10.5 to 28 VDC, and is IP67 certified.



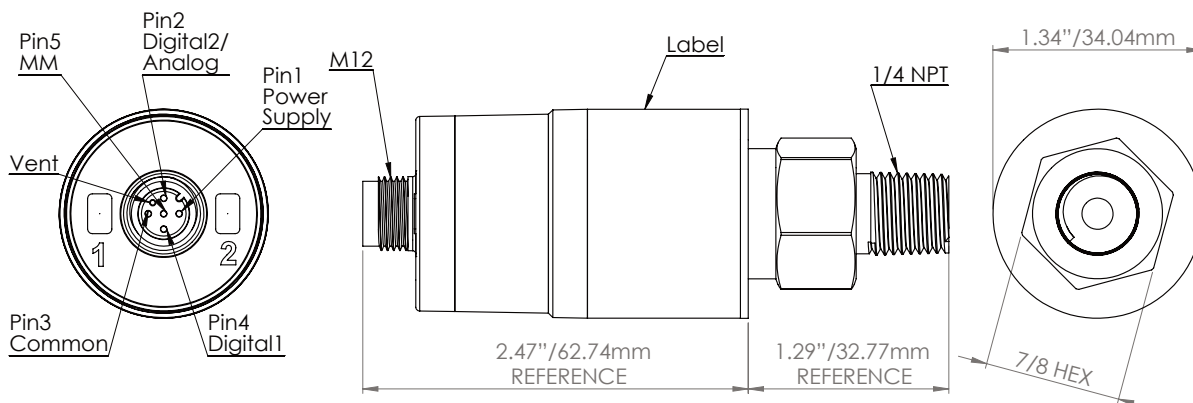
ELECTRICAL CONNECTIONS:

5-PIN M12

- Pin 1: Power supply: 10.5 VDC to 28 VDC
- Pin 2: Digital output #2 (optional) or analog output (optional)
- Pin 3: Power supply common
- Pin 4: Digital output #1
- Pin 5: Maintenance mode output

FEATURES:

- Maintenance Mode (redundant sensing notification)
- Power supply: 10.5 VDC to 28 VDC
- 4-digit, bi-color display (red or green)
- Display: 360° scrolling or lock in location
- Pressure port: 1/4-inch NPT standard, 7/16-20 UNF, G 1/4
- Digital outputs : 250 mA max (PNP) or 200 mA max (NPN), and/or optional analog output: up to 10 VDC or up to 20 mA field selectable)
- Wide variety of pressure ranges up to 10K psig
- Peak Monitoring Technology



Dimensions are in inches and for reference only

Distributed by Relevant Solutions | 1.888.858.3647 | relevantsolutions.com



SPECIFICATIONS

Performance

Accuracy	Performance @ 25°C (77 °F)
Overrange Protection	0.5% of maximum operating pressure
Pressure Range	2x Rated Pressure or optional 4x and 10x
Burst Pressure	see ordering chart - up to 10,000 psi (689 bar)
Pressure Cycles	5x or 20,000 psi, whichever is less
Update Time	>100 million
	<=1msec

Environmental Data

Temperature	
Compensated Temperatures	-40° to 85° C (-40 to 185° F)
Operating Temperatures	-40° to 100° C (-40° to 212° F)
Storage	-40° to 125° C (-40° to 257° F)
TEB	1% BFSL (includes: Non-linearity, Hysteresis and Non-repeatability), analog output
Long Term Drift	0.2% FS/year (non-cumulative)
Shock	50g, 11 ms, 1/2 sine
Vibration	10g, peak, 20 to 2400 Hz
EMI/FRI Protection	Yes
Rating	Up to IP-67

Mechanical Configuration

Pressure Connections	1/4" NPT Male, 7/16-20 UNF, G1/4 Male
Wetted Material	17-4PH stainless steel (for other materials consult factory)
Electrical Connection	M12 (5-pin)
Case	(housing) 304 stainless steel and high-impact polycarbonate (display)

Electrical Data

Power Supply	10.5-28VDC
Switch/Analog Output	10.5 VDC to 28 VDC at 250 mA max (PNP) or 200 mA max (NPN) (digital), Field-programmable: voltage up to 10 VDC or current up to 20mA
Output Impedance	<100 Ohms, Nominal
Current Consumption	30 mA @ 24 V / voltage output 40 mA @ 12 V / voltage output 50 mA @ 24 V / current output 60 mA @ 12 V / current output
Output Noise	<2mV RMS
Reverse Polarity Protection	Yes
Set Points	No set points in vacuum range, 5 psi min set point with <100 psi range, 10% of configured pressure min set point with > 100 psi range
Spike Counter	Press button # 1 for 10 seconds to view quantity of pressure spikes and the highest spike seen.
Zero/Tare display	Press button #2 for 10 sec. If the pressure reading on the display is between 14.7 and 128 psi, the display will change to zero (0). If pressure is above 128 psi, display will not change.

For best performance use shielded cables. Mating connectors and cable assemblies sold separately.

ORDERING

Series	Version	Pressure Range	Pressure Port	Electrical Connection	Overpressure Protection
PST360	D3	0050	03	Q9	
	D1 = 1 switch output with display	0015 1000 0025 2000	03= 1/4" NPT Male (standard)	Q9 = M12 (5-pin)	[blank] = 2x 4x = 4x (5000 psi max)
	D2 = 2 switch outputs with display	0050 3000 0100 4000	09= 7/16-20 UNF 13= G1/4		
	D3 = 1 analog output, 1 switch output with display (standard)	0250 5000 0500 6000 0750 010K **	*Consult customer service for further OEM options		

Specifications may change without notice. The information we supply is believed to be accurate and reliable as of this printing. However, we assume no responsibility for its use. While we provide application assistance personally, through our literature and the Ametek web site, it is up to the customer to determine the suitability of the product in the application.

Distributed by Relevant Solutions | 1.888.858.3647 | relevantsolutions.com